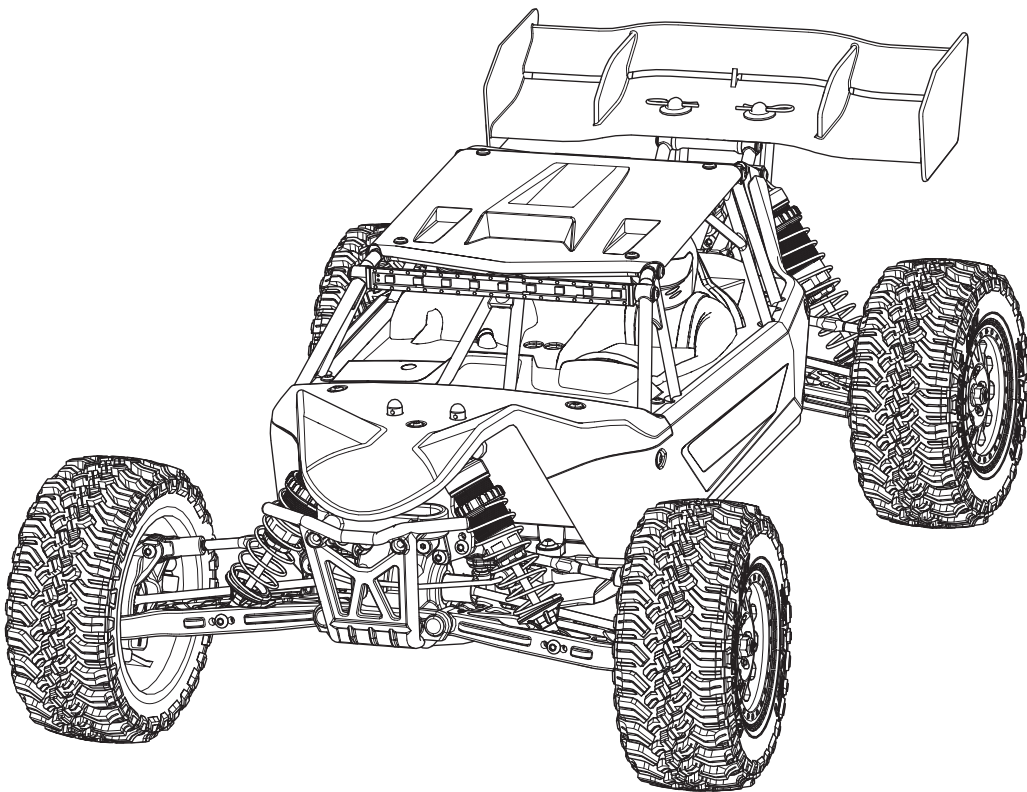




AVC® US 9,320,977. US 10,528,060.

# TENACITY DB PRO



Scan the QR code and select the Manuals and Support quick links from the product page for the most up-to-date manual information.

Scannen Sie den QR-Code und wählen Sie auf der Produktseite die Quicklinks Handbücher und Unterstützung, um die aktuellsten Informationen zu Handbüchern.

Scannez le code QR et sélectionnez les liens rapides Manuals and Support sur la page du produit pour obtenir les informations les plus récentes sur le manuel.

Scannerizzare il codice QR e selezionare i Link veloci Manuali e Supporto dalla pagina del prodotto per le informazioni manuali più aggiornate.



**INSTRUCTION MANUAL**  
**BEDIENUNGSANLEITUNG**  
**MANUEL D'UTILISATION**  
**MANUALE DI ISTRUZIONI**

Before operating this vehicle, please read all printed materials thoroughly. Horizon Hobby is not responsible for inadvertent errors in this manual.

**HORIZON**  
H O B B Y

## NOTICE

All instructions, warranties and other collateral documents are subject to change at the sole discretion of Horizon Hobby, LLC. For up-to-date product literature, visit [www.horizonhobby.com](http://www.horizonhobby.com) or [www.towerhobbies.com](http://www.towerhobbies.com) and click on the support or resources tab for this product.


### MEANING OF SPECIAL LANGUAGE

The following terms are used throughout the product literature to indicate various levels of potential harm when operating this product:


**WARNING:** Procedures, which if not properly followed, create the probability of property damage, collateral damage, and serious injury OR create a high probability of superficial injury.

**CAUTION:** Procedures, which if not properly followed, create the probability of physical property damage AND a possibility of serious injury.

**NOTICE:** Procedures, which if not properly followed, create a possibility of physical property damage AND a little or no possibility of injury.

 **WARNING:** Read the ENTIRE instruction manual to become familiar with the features of the product before operating. Failure to operate the product correctly can result in damage to the product, personal property and cause serious injury.

This is a sophisticated hobby product. It must be operated with caution and common sense and requires some basic mechanical ability. Failure to operate this Product in a safe and responsible manner could result in injury or damage to the product or other property. This product is not intended for use by children without direct adult supervision. Do not use with incompatible components or alter this product in any way outside of the instructions provided by Horizon Hobby, LLC. This manual contains instructions for safety, operation and maintenance. It is essential to read and follow all the instructions and warnings in the manual, prior to assembly, setup or use, in order to operate correctly and avoid damage or serious injury.

 **WARNING AGAINST COUNTERFEIT PRODUCTS** Always purchase from a Horizon Hobby, LLC authorized dealer to ensure authentic high-quality Spektrum product. Horizon Hobby, LLC disclaims all support and warranty with regards, but not limited to, compatibility and performance of counterfeit products or products claiming compatibility with DSM or Spektrum technology.

**Age Recommendation: Not for children under 14 years. This is not a toy.**

### SAFETY PRECAUTIONS AND WARNINGS

As the user of this product, you are solely responsible for operating in a manner that does not endanger yourself and others or result in damage to the product or property of others.

This model is controlled by a radio signal subject to interference from many sources outside your control. This interference can cause momentary loss of control, so it is advisable to always keep a safe distance in all directions around your model as this margin will help avoid collisions or injury.

- Never operate your model with low transmitter batteries.
- Always operate your model in open spaces away from full-size vehicles, traffic and people.
- Never operate the model in the street or in populated areas for any reason.
- Carefully follow the directions and warnings for this and any optional support equipment (chargers, rechargeable battery packs, etc.) you use.
- Keep all chemicals, small parts and anything electrical out of the reach of children.

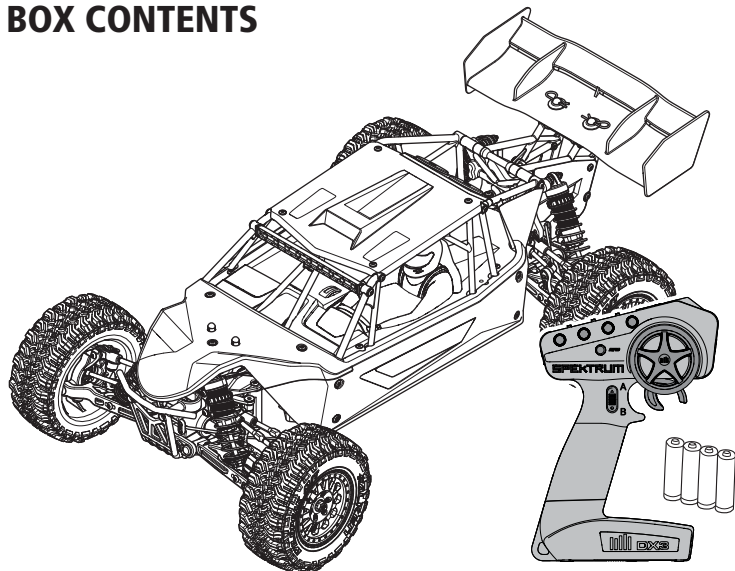
- Never lick or place any portion of the model in your mouth as it could cause serious injury or even death.
- Exercise caution when using tools and sharp instruments.
- Take care during maintenance as some parts may have sharp edges.
- Immediately after using your model, do NOT touch equipment such as the motor, electronic speed control and battery, because they generate high temperatures. You may burn yourself seriously touching them.
- Do not put fingers or any objects inside rotating and moving parts, as this may cause damage or serious injury.
- Always turn on your transmitter before you turn on the receiver in the car. Always turn off the receiver before turning your transmitter off.
- Keep the wheels of the model off the ground when checking the operation of the radio equipment.

## TABLE OF CONTENTS

<b>BOX CONTENTS</b> .....	<b>3</b>	<b>SPEKTRUM™ FIRMA™ SMART 130A BRUSHLESS ESC (SPMXSE1130)</b> .....	<b>6</b>
COMPONENTS.....	3	SPECIFICATIONS .....	6
<b>WATER-RESISTANT VEHICLE WITH WATERPROOF ELECTRONICS</b> .....	<b>3</b>	ESC LED STATUS .....	6
GENERAL PRECAUTIONS.....	3	AUDIBLE WARNING TONES .....	6
WET CONDITIONS MAINTENANCE.....	3	ESC CALIBRATION PROCEDURE .....	6
<b>QUICK START</b> .....	<b>3</b>	ESC FUNCTIONS AND MODES.....	7
<b>CHARGING THE BATTERY</b> .....	<b>3</b>	PROGRAMMING TABLE.....	7
<b>INSTALLING THE BATTERY</b> .....	<b>4</b>	ESC PROGRAMMING PROCEDURE.....	7
<b>SPEKTRUM DX3 ACTIVE RADIO SYSTEM</b> .....	<b>4</b>	DESCRIPTIONS.....	7
INSTALLING THE TRANSMITTER BATTERIES.....	4	<b>SPEKTRUM™ FIRMA™ 3150KV BRUSHLESS MOTOR</b> .....	<b>8</b>
SRS6200A AVC TECHNOLOGY TELEMETRY RECEIVER.....	4	PRECAUTIONS .....	8
AUX CHANNELS.....	4	GEARING .....	8
DISABLING AVC® TECHNOLOGY STABILITY ASSIST.....	5	CHANGING THE PINION GEAR/GEAR RATIO .....	8
FAILSAFE .....	5	SETTING THE GEAR MESH.....	8
<b>DRIVING PRECAUTIONS</b> .....	<b>5</b>	TELEMETRY SETTINGS.....	8
<b>POWERING ON THE VEHICLE</b> .....	<b>5</b>	<b>TROUBLESHOOTING GUIDE</b> .....	<b>8</b>
<b>BEFORE RUNNING YOUR VEHICLE</b> .....	<b>5</b>	<b>LIMITED WARRANTY</b> .....	<b>8</b>
<b>AVC® SENSITIVITY</b> .....	<b>5</b>	<b>WARRANTY AND SERVICE CONTACT INFORMATION</b> .....	<b>9</b>
<b>RUN TIME</b> .....	<b>6</b>	<b>FCC INFORMATION</b> .....	<b>9</b>
TO IMPROVE RUN TIMES.....	6	<b>IC INFORMATION</b> .....	<b>9</b>
<b>PERFORMING A CONTROL DIRECTION TEST</b> .....	<b>6</b>	<b>COMPLIANCE INFORMATION FOR THE EUROPEAN UNION</b> .....	<b>9</b>
<b>CHANGING THE TRAVEL ADJUST SETTINGS</b> .....	<b>6</b>	<b>REPLACEMENT PARTS</b> .....	<b>34</b>
		<b>RECOMMENDED PARTS</b> .....	<b>35</b>
		<b>OPTIONAL PARTS</b> .....	<b>35</b>
		<b>EXPLODED VIEW</b> .....	<b>36</b>



## BOX CONTENTS



## COMPONENTS

- Losi® TENACITY® DB PRO RTR, AVC®: 1/10-Scale 4WD Desert Buggy (LOS03027V2T1/T2)
- Spektrum™ DX3™ 2.4GHz Transmitter (SPM2340)
- Spektrum 6-Channel DSMR® AVC® Surface Receiver (SPMSR6200A)
- Spektrum 15KG 23T Steel Gear Waterproof Servo (SPMS614S)
- Spektrum Firma™ SMART 130A Brushless ESC (SPMXSE1130)
- Spektrum Firma 3150Kv Brushless Motor (SPMXSM1000)
- 4 AA batteries (for transmitter)

## WATER-RESISTANT VEHICLE WITH WATERPROOF ELECTRONICS

Your new Horizon Hobby vehicle has been designed and built with a combination of waterproof and water-resistant components to allow you to operate the product in many "wet conditions," including puddles, creeks, wet grass, snow and even rain.

While the entire vehicle is highly water-resistant, it is not completely waterproof and your vehicle should NOT be treated like a submarine. The various electronic components used in the vehicle, such as the Electronic Speed Control (ESC), servo(s) and receiver are waterproof, however, most of the mechanical components are water-resistant and should not be submerged.

Metal parts, including the bearings, hinge pins, screws and nuts, as well as the contacts in the electrical cables, will be susceptible to corrosion if additional maintenance is not performed after running in wet conditions. To maximize the long-term performance of your vehicle and to keep the warranty intact, the procedures described in the "Wet Conditions Maintenance" section below must be performed regularly if you choose to run in wet conditions. If you are not willing to perform the additional care and maintenance required, then you should not operate the vehicle in those conditions.

**CAUTION:** Failure to exercise caution while using this product and complying with the following precautions could result in product malfunction and/or void the warranty.

### GENERAL PRECAUTIONS

- Read through the wet conditions maintenance procedures and make sure that you have all the tools you will need to properly maintain your vehicle.
- Not all batteries can be used in wet conditions. Consult the battery manufacturer before use. Caution should be taken when using Li-Po batteries in wet conditions.
- Most transmitters are not water-resistant. Consult your transmitter's manual or the manufacturer before operation.
- Never operate your transmitter or vehicle where lightning may be present.
- Do not operate your vehicle where it could come in contact with salt water (ocean water or water on salt-covered roads), contaminated or polluted water. Salt water is very conductive and highly corrosive, so use caution.
- Even minimal water contact can reduce the life of your motor if it has not been certified as water-resistant or waterproof. If the motor becomes excessively wet, apply very light throttle until the water is mostly removed from the motor. Running a wet motor at high speeds may rapidly damage the motor.
- Driving in wet conditions can reduce the life of the motor. The additional resistance of operating in water causes excess strain. Alter the gear ratio by using a smaller pinion or larger spur gear. This will increase torque (and motor life) when running in mud, deeper puddles, or any wet conditions that will increase the load on the motor for an extended period of time.

## QUICK START

Please read the entire manual to gain a full understanding of the TENACITY RTR vehicle, fine-tuning the setup and performing maintenance.

1. Read the safety precautions found in this manual.
2. Charge a battery for the vehicle. Refer to the included charging warnings and instructions for battery charging information.
3. Install the AA batteries in the transmitter. Only use alkaline or rechargeable batteries.
4. Install the fully charged battery in the vehicle.
5. Power ON the transmitter and then the vehicle. Wait 5 seconds for the ESC to initialize. Always power the transmitter ON before the vehicle and power it OFF after the vehicle has been powered OFF.
6. Check the steering and throttle control directions. Verify that the servos are moving in the correct direction.
7. Drive your vehicle.
8. Perform any necessary maintenance.

## CHARGING THE BATTERY

Choose a battery designed to work with the Spektrum™ Firma™ SMART 130A Brushless ESC (SPMXE1130). We recommend the Spektrum 5000mAh 2S 7.4V 50C SMART LiPo hardcase battery with IC5™ connector (SPMX50002S50H5) or Spektrum 5000mAh 3S 11.1V 50C SMART LiPo IC5 hardcase battery with IC5 connector (SPMX50003S50H5). Choose a charger designed to charge 2S and/or 3S Li-Po batteries.

We recommend the Dynamite® Passport™ P1 mini-AC Input Balance Charger/Discharger (DYN3015). Refer to your battery and charger manuals for usage, safety, and charging information.

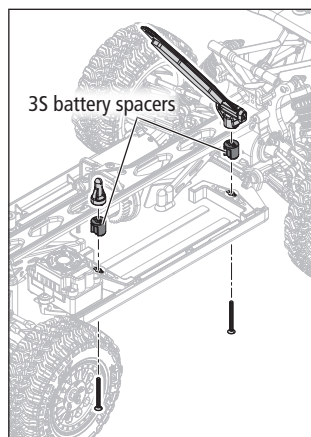
**IMPORTANT:** When using a 3S battery, you must change the motor pinion gear to the 15T pinion provided with your vehicle.

## INSTALLING THE BATTERY

1. Ensure the ESC is powered OFF.
2. Remove the body clips and rotate the body up.
3. Remove the body clip from the battery hold down and open the battery tray.
4. Insert the battery into the battery tray.

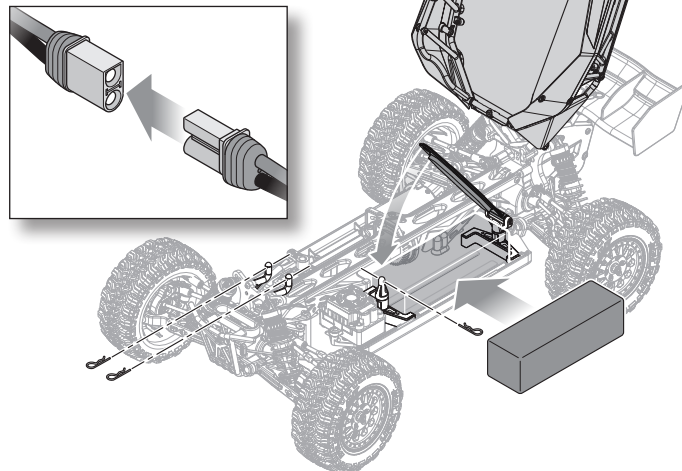
The vehicle is setup at the factory for use with a 2S LiPo battery. To install an optional 3S LiPo battery, the included spacers must be added to the battery tray as shown.

**NOTICE:** If you are using a 2S Li-Po battery, use the included 17T Pinion gear. If you are using a 3S Li-Po battery, use the optional 15T pinion gear (included). Using a 17T pinion gear with a 3S Li-Po battery will result in damage to the ESC and motor.

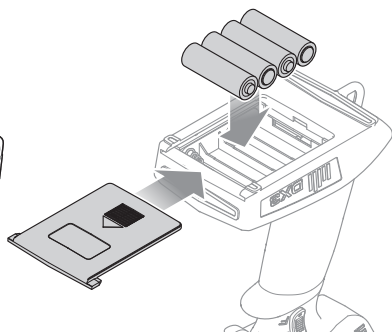
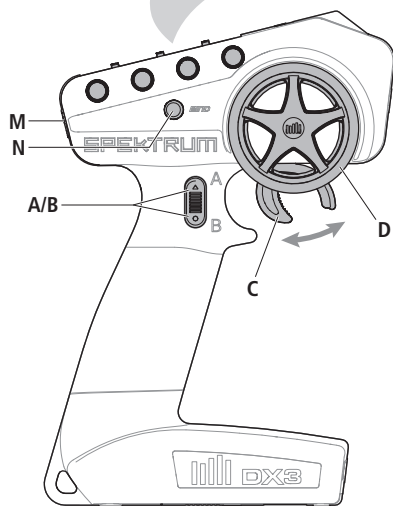
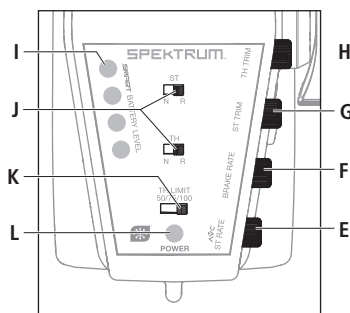


5. Rotate the battery strap down, and insert the body clip to secure the battery.
6. Connect the battery power lead to the ESC, noting proper polarity.
7. Power ON the transmitter, then the vehicle.
8. Rotate the body into place, and insert the body clips.

**IMPORTANT:** Secure the ESC wires so they do not interfere with the gearing.



## SPEKTRUM™ DX3 RADIO SYSTEM



### A/B. Channel 3 Button

### C. Throttle/Brake

### D. Steering Wheel

### E. Steering Rate - Adjusts the end point of the steering

### F. Brake Rate - Adjusts the braking end point.

### G. Steering Trim - Adjusts the steering center point. Normally, the steering trim is adjusted until the vehicle tracks straight.

### H. Throttle Trim - Adjusts the throttle neutral point

### I. SMART Battery Level Indicator

### J. Servo Reversing - To reverse the Throttle (TH) or Steering (ST) channel, switch the position of the correlating switch—"N" is for normal, "R" is for reverse.

### K. Throttle Limit - Limits throttle output to 50/75/100% Select 50% or 75% for less experienced drivers or when you are driving the vehicle in a small area.

### L. Power LED

- **Solid red lights:** Indicates radio connectivity and adequate battery power
- **Flashing red lights:** Indicates the battery voltage is critically low. Replace batteries

### M. Power Button

### N. Bind Button

## INSTALLING THE TRANSMITTER BATTERIES

1. Push in the battery cover a small amount to release the retaining tab, then remove the cover.
2. Install 4 AA batteries, taking care to align the battery polarity to the diagram in the transmitter's battery case.
3. Carefully reinstall the battery cover by aligning the tabs with the slots on the transmitter.

For more information on the transmitter, go to [www.horizonhobby.com](http://www.horizonhobby.com) and click on the support tab for the Spektrum DX3 to download the instruction manual.

**CAUTION:** Never remove the transmitter batteries while the model is powered ON. Loss of model control, damage, or injury may occur.

**CAUTION:** If using rechargeable batteries, charge only rechargeable batteries. Charging non-rechargeable batteries may cause the batteries to burst, resulting in injury to persons and/or damage to property.

**CAUTION:** Risk of explosion if battery is replaced by an incorrect type. Dispose of used batteries according to national regulations.

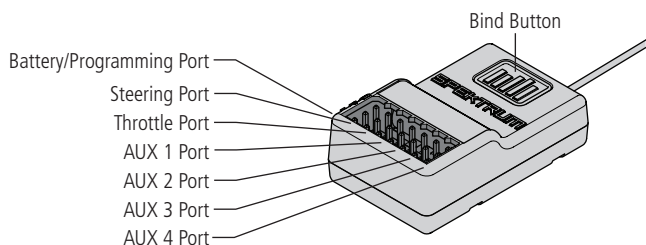
## SRS6200A AVC TECHNOLOGY RECEIVER

### AUX CHANNELS

The Aux channels can operate as additional servo channels, or as a power supply for a personal transponder.

If AVC is active, only 4 channels; Steering, Throttle, AUX3 and AUX4 are operational. The remaining Aux channels can be used to power a personal transponder or lights.

If AVC is disabled (see **DISABLING THE STABILITY ASSIST FUNCTION**), all 6 channels including the Aux channels can operate as servo channels.





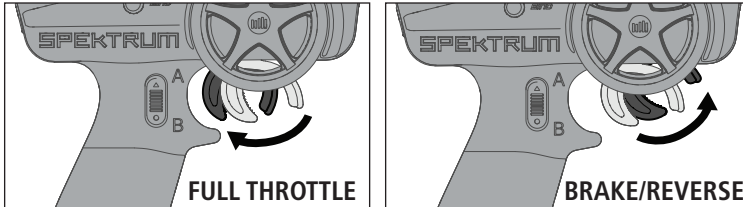
## BINDING AND CALIBRATING THE RECEIVER

Binding is the process of linking the SR6200A receiver to your Spektrum transmitter. The AVC features on the receiver can be enabled or disabled during the binding process.

**IMPORTANT:** You must calibrate the SR6200A receiver each time it is placed in bind mode, regardless of AVC being enabled or disabled.

Upon initial setup after the first bind, the model must be configured for servo direction, trim and travel. Then the receiver must be rebound and calibrated to those settings for proper operation. Center the steering trim and throttle trim on the transmitter before beginning.

1. Press and hold the bind button on the receiver.
2. Power on the receiver. The orange LED flashes, indicating the receiver is in bind mode. Release the bind button after the orange LED illuminates.
3. Put your transmitter in bind mode. The bind process is complete when the orange LED on the receiver remains lit. The receiver is now bound to the transmitter but must be calibrated before it will operate.
4. Pull the transmitter trigger to full throttle, pause, then return the trigger to center.



5. Push the transmitter trigger to full brake, pause, then return the trigger to center.
6. Turn the transmitter steering wheel to full right, pause, then return the wheel to center.
7. Turn the transmitter steering wheel to full left, pause, then return the steering wheel to center. The orange LED flashes to confirm the settings have been accepted.
8. Turn off the vehicle to complete the binding and calibration process.

**CAUTION:** When the bind process is complete, the throttle and steering channels are active. Keep hands and loose objects away from all spinning parts on the vehicle.

**IMPORTANT:** You must rebind the transmitter and receiver if you:

- Change the servo reversing after binding
- Change the travel after binding
- Change the receiver mounting orientation

### DISABLING AVC® TECHNOLOGY STABILITY ASSIST

If you participate in organized racing, you may be required to turn AVC technology off.

To turn off AVC technology:

1. Connect power to the receiver and quickly press and release the bind button three times (within 1.5 seconds).
2. Press and hold the bind button and to put the receiver in bind mode. Release the button when the LED starts to flash rapidly, indicating it is in bind mode.

When the AVC system has been disabled, the LED on the receiver will show three flashes upon power up, and then remain lit. The receiver is bound and operating normally when the LED remains illuminated.

**TIP:** If the AVC feature in the receiver is active and the AVC menu in the transmitter is inhibited, AVC functions will default to the AUX 1 and AUX 2 operation, and in this scenario, AVC will not work correctly.

### FAILSAFE

In the unlikely event that the radio link is lost during use, the receiver will drive the throttle channel to the neutral position. If the receiver is powered on prior to turning on the transmitter, the receiver will enter the failsafe mode, driving the throttle channel to the neutral position. When the transmitter is turned on, normal control is resumed.

**IMPORTANT:** Failsafe activates only in the event that signal is lost from the transmitter. Failsafe will NOT activate in the event that receiver battery power decreases below the recommended minimums or power to the receiver is lost.

## DRIVING PRECAUTIONS

- Maintain sight of the vehicle at all times.
- Routinely inspect the vehicle for loose wheel hardware.
- Routinely inspect the steering assembly for any loose hardware. Driving the vehicle off-road can cause fasteners to loosen over time.
- Do not drive the vehicle in tall grass. Doing so can damage the vehicle or electronics.
- Stop driving the vehicle when you notice a lack of power. Driving the vehicle when the battery is discharged can cause the receiver to power off. If the receiver loses power, you will lose control of the vehicle. Damage due to an over-discharged Li-Po battery is not covered under warranty.

**CAUTION:** Do not discharge a Li-Po battery below 3V per cell. Batteries discharged to a voltage lower than the lowest approved voltage may become damaged, resulting in loss of performance and potential fire when batteries are charged.

- Do not apply forward or reverse throttle if the vehicle is stuck. Applying throttle in this instance can damage the motor or ESC.
- After driving the vehicle, allow the electronics to cool before driving the vehicle again.

**IMPORTANT:** Keep wires away from all moving parts.

## BEFORE RUNNING YOUR VEHICLE

1. Check for free suspension movement. All suspension arms and steering components should move freely. Any binds will cause the vehicle to handle poorly.

**TIP:** To increase the ride height and ground clearance of your vehicle, screw down the shock collars to compress the springs.

2. Charge a battery pack. Always charge the battery pack as per the battery and/or charger manufacturers' instructions.
3. Set the transmitter steering trim. Follow the instructions to set the steering trim/subtrim so that the vehicle drives straight with no input to the steering.
4. Perform a Control Direction Test.

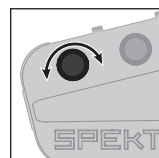
## POWERING ON THE VEHICLE

1. Center the ST TRIM and TH TRIM dials on the transmitter.
2. Power on the transmitter.
3. Install a fully charged battery pack per the *Installing the Battery* section.
4. Power on the ESC.

**IMPORTANT:** The vehicle MUST remain on a flat, level surface and motionless for at least 5 seconds.

## AVC® SENSITIVITY

The ST RATE dial adjusts the sensitivity, or stability, value in the receiver. If you increase the sensitivity, the AVC® system becomes more sensitive to the vehicle drifting left or right. You would use maximum sensitivity during high speed driving or drag racing, when you want the vehicle to stay in a straight line.



Turn the ST RATE knob counter-clockwise to reduce the sensitivity.

Turn the ST RATE knob clockwise to increase the sensitivity.

**IMPORTANT:** The ST RATE knob will only adjust the sensitivity when the transmitter is bound to a DSMR® receiver. When the transmitter is bound to a DSM®, DSM2® or DSM Marine receiver, the ST RATE knob controls the steering dual rate.

## RUN TIME

The largest factor in run time is the capacity of the battery pack. A larger mAh rating increases the amount of run time experienced.

The condition of a battery pack is also an important factor in both run time and speed. The battery connectors may become hot during driving. Batteries will lose performance and capacity over time.

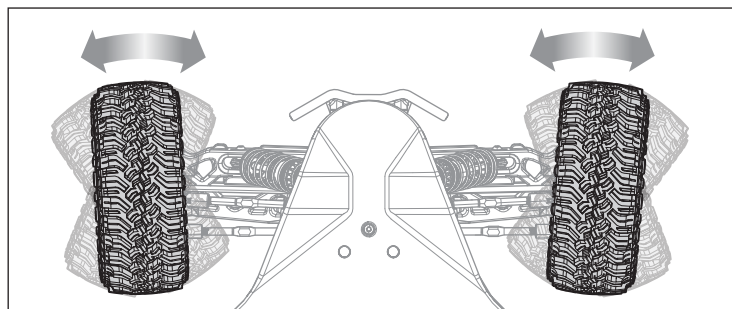
Driving the vehicle from a stop to full speed repeatedly will damage the batteries and electronics over time. Sudden acceleration will also lead to shorter run times.

### TO IMPROVE RUN TIMES

- Keep your vehicle clean and well maintained.
- Allow more airflow to the ESC and motor.
- Change the gearing to a lower ratio. A lower ratio decreases the operating temperature of the electronics. Use a smaller pinion gear or larger spur gear to lower the gear ratio.
- Use a battery pack with a higher mAh rating.
- Use the optimum charger to charge battery packs (Visit your local hobby dealer for more information).

## PERFORMING A CONTROL DIRECTION TEST

Perform a control test with the vehicle wheels off the ground. If the wheels rotate after the vehicle is powered ON, adjust the TH Trim knob until they stop. To make the wheels move forward, pull the trigger. To reverse them, wait for the wheels to stop, then push the trigger. When moving forward, the wheels should maintain a straight line without any steering wheel input. If not, adjust the ST Trim knob, so the wheels maintain a straight line without having to turn the steering wheel.



## CHANGING THE TRAVEL ADJUST SETTINGS

Set the travel adjust settings with all four vehicle wheels off the ground. The throttle end point and brake end point adjustments will cause the wheels to spin at full speed. Have an assistant safely hold the vehicle securely while adjusting these settings.



**CAUTION:** Keep hands, hair and all loose clothing away from any moving parts, especially the wheels, while setting the travel adjust end points. Serious injury may result.

1. Hold the trigger in the full brake position and turn the steering wheel to full right while powering on the transmitter. The LED flashes rapidly, indicating programming mode is active.
2. Throttle End Point: Continue holding full throttle. Turn the TH TRIM knob to adjust the full throttle end point.
3. Brake End Point: Hold the trigger in the full brake position. Turn the TH TRIM knob to adjust the full brake end point. Return the trigger to the center position.
4. Left Steering End Point: Hold the steering wheel in the full left position. Turn the ST TRIM knob to adjust the left end point.
5. Right Steering End Point: Hold the steering wheel in the full right position. Turn the ST TRIM knob to adjust the right end point. Return the steering wheel to the center position.
6. Power off the transmitter to save the travel adjust settings.

The minimum Travel is 75%, and the Maximum travel is 150%.

**IMPORTANT:** If the travel is changed on the DX3, you must rebind and calibrate the SR6200A

## SPEKTRUM™ FIRMA™ SMART 130A BRUSHLESS ESC (SPMXSE1130)

### SPECIFICATIONS

Type	Sensorless, SMART Throttle Compatible
Output	130A/760A
Function	Forward/Brake–Forward/Brake Reverse
Input Voltage	7.4V–14.8V (The motor in this vehicle will not support 14.8V)
BEC Output	6V/4A
Dimensions (LxWxH)	57.5mm x 46mm x 38mm
Weight	154 g

### ESC LED STATUS

- No ESC LEDs will glow when there is no throttle input from the transmitter.
- The red ESC LED glows when there is any throttle input from the transmitter.

### AUDIBLE WARNING TONES

1. **Input Voltage:** The ESC checks the input voltage when it is powered ON. If a voltage problem is detected, the ESC continuously sounds 2 beeps with a 1 second pause (xx-xx-xx). Power OFF the ESC and ensure the connections are secure and that the battery power is not too low for safe operation.
2. **Radio Connection:** The ESC checks radio signal input when it is powered ON. If a problem is detected, the ESC continuously sounds 1 beep with a 2 second pause (x--x--x). Power OFF the ESC and ensure the radio system is operating correctly.

**NOTICE:** Always disconnect the battery from the ESC after operating your vehicle. The ESC's switch only controls power to the receiver and servos. The ESC will continue to draw current when connected to the battery, resulting in possible damage to the battery through over discharge.

### ESC CALIBRATION PROCEDURE

Complete the transmitter/receiver binding procedure prior to calibrating the ESC.

1. Set the transmitter throttle channel to 100% travel and center the throttle trim.
  2. Connect a battery to the ESC battery lead.
  3. Power on the transmitter.
  4. Press and hold the SET button while turning on the ESC. Release the SET button when the **red** LED begins to flash, indicating the ESC is in calibration mode. The ESC will enter programming mode if the button is held for more than three seconds.
- TIP:** The red LED should be flashing when the ESC enters calibration mode. If the green LED is flashing the ESC has entered programming mode. Power off the ESC and repeat step 4, releasing the SET button when the red LED begins to flash.
5. With the transmitter throttle trigger at the neutral position, press and release the ESC SET button. The red LED will stop flashing, the green LED will flash one time and the motor will make a tone to indicate the neutral position has been accepted.
  6. While holding the throttle trigger at the full throttle position, press and release the ESC SET button. The green LED will flash twice and the motor will make two tones to indicate the full throttle position has been accepted.
  7. While holding the throttle trigger at the full brake position, press and release the SET button. The green LED will flash three times and the motor will make three tones to indicate the full brake position has been accepted.

The motor will operate normally after calibration is completed.



## ESC FUNCTIONS AND MODES

The ESC includes programming options so you can adjust the way your vehicle performs. Refer to the included programming table to adjust the ESC for your driving conditions.

### PROGRAMMING TABLE

■ Default Settings

PROGRAMMING ITEMS	PROGRAMMING VALUE								
	1	2	3	4	5	6	7	8	9
<b>1. Running Mode</b>	Forward w/ brake	Forward/Reverse w/ brake	Forward/Reverse						
<b>2. Drag Brake Force</b>	0%	5%	10%	20%	40%	60%	80%	100%	
<b>3. Low Voltage Cutoff</b>	non-protection	2.6V/Cell	2.8V/Cell	3.0V/Cell	3.2V/Cell	3.4V/Cell			
<b>4. Start Mode</b>	Level 1	Level 2	Level 3	Level 4	Level 5	Level 6	Level 7	Level 8	Level 9
<b>5. Max Brake Force</b>	25%	50%	75%	100%	disable				
<b>6. Max Reverse Force</b>	25%	50%	75%	100%					
<b>7. Initial Brake Force</b>	= Drag Brake	0%	20%	40%					
<b>8. Neutral Range</b>	6% (Narrow)	9% (Normal)	12% (Wide)						
<b>9. Timing</b>	0.00°	3.75°	7.50°	11.25°	15.00°	18.75°	22.50°	26.25°	
<b>10. Motor Rotation</b>	Counterclockwise	Clockwise							
<b>11. Li-Po Cells</b>	Auto Calculate	2 Cells	3 Cells	4 Cells	5 Cells	6 Cells			

### ESC PROGRAMMING PROCEDURE

Programming is accomplished using the SET button on the ON/OFF switch\*.

1. Connect a fully charged battery to the ESC.
2. Power on the transmitter.
3. Power on the ESC.
4. Hold the SET button until the green LED flashes. Release the set button to enter programming mode.

**TIP:** To reset all programming items to the default values, press and hold the set button for five seconds

5. Press and release the set button as needed to cycle through the programming items. The number of times the green LED flashes equals the programming item number given in the programming table.
6. When at the desired programming item, press and hold the set button until the red LED flashes to select the item.
7. Press and release the SET button to cycle through the values available for the programming item based on the number of times the LED flashes. Refer to the programming table.
8. Save the setting by pressing and holding the SET button for 3 seconds.
9. Power off the ESC to exit programming mode or to change other programming items.

\* Other programming options include the Spektrum SMART Firma ESC Programming Box (SPMXCA200) and the SmartLink USB updating and programmer application. See SpektrumRC.com for more details about Spektrum SMART Firma ESCs.

### DESCRIPTIONS

#### 1. Running Mode

- *Forward Only with Brake*  
Intended for competition use, this mode allows only forward and brake controls.
- *Forward/Reverse with Brake*  
This mode is the basic all-around mode, allowing forward, reverse and brake controls. To engage reverse while moving forward, apply the brake until the vehicle has come to a complete stop, release brake, then apply the brake again. While braking or in reverse, engaging the throttle will result in the vehicle immediately accelerating forward.

#### 2. Drag Brake Force

Adjusts the amount of brake automatically applied when the throttle is returned to the neutral position. This simulates the engine braking effect of a full-scale vehicle, allowing improved turn-in and your vehicle's general response to controls.

#### 3. Low Voltage Cutoff

This function helps to prevent battery over-discharge. The ESC continuously monitors the battery's voltage. If the voltage falls below the voltage threshold for 2 seconds, the output power shuts off and the red LED flashes twice repeatedly.

The cutoff threshold calculation is based on individual Li-Po cell voltage. For Ni-MH batteries, if the voltage battery pack is higher than 9.0V, it will be treated as a 3-cell Li-Po battery pack; if it is lower than 9.0V, it will be treated as a 2-cell Li-Po battery pack. Example: for a 8.0V Ni-MH battery pack used with a 2.6V/cell threshold, it will be treated as a 2-cell Li-Po battery pack and the low-voltage cut-off threshold will be 5.2V (2.6x2=5.2).

#### 4. Start Mode (Punch)

Sets the initial throttle punch when the car accelerates. Level 1 gives a very soft initial acceleration and level 4 gives a stronger initial acceleration.

#### 5. Max Brake Force

Adjusts the maximum braking force. A higher value provides stronger braking, but can also cause the wheels to lock, resulting in loss of control of the car.

#### 6. Max Reverse Force

This parameter adjusts the maximum power when travelling in reverse.

#### 7. Initial Brake Force (minimum brake)

Adjusts the minimum amount of braking power when the brakes engage. The default value is equal to the drag brake value. A high value can lock the wheels when the brake is used.

#### 8. Neutral Range

Adjusts the throttle sensitivity around the neutral point. A higher value results in the throttle having to be moved more for the vehicle to move forward, backward or brake.

#### 9. Timing

Adjusts the motor drive current timing. More timing gives more performance, but can lower efficiency and cause damage to the motor and/or ESC by overload or overheating.

**NOTICE:** Always ensure the motor timing is set correctly. Failure to set the motor timing correctly can result in damage to the motor and ESC. Refer to the manufacturer instructions for recommended timing settings.

#### 10. Motor Type

#### 11. Motor Rotation

Allows you to make this change in the ESC so no wires need to be changed between the ESC and the motor.

#### 12. Li-Po Cells

Allows the ESC to automatically detect or manually set the number of cells in your Li-Po battery back.

# SPEKTRUM™ FIRMA™ 3150KV BRUSHLESS MOTOR

## PRECAUTIONS

- Never touch moving parts.
- Never disassemble while the batteries are installed.
- Always let parts cool before touching.

## GEARING

Your vehicle has been equipped with the optimal gearing installed for the use of a 2S battery. It offers an ideal balance between speed, power and efficiency. Should you decide to customize your vehicle with a 3S battery it is necessary to change to the 15T pinion (included).

Installing a pinion gear with fewer teeth or a spur gear with more teeth will provide greater torque but will reduce top speed. Likewise, a pinion gear with more teeth or a spur gear with fewer teeth will reduce torque and increase top speed. Care should be taken when installing larger pinion gears as this can "overgear" the vehicle, resulting in overheating of the motor and ESC. When testing different gearing options, pay close attention to the temperature of the motor and speed control to ensure you are operating within the temperature range of the components. The motor or ESC should never be so hot that it cannot be touched. If temperatures are too hot, a different gearing combination with a lower pinion gear and/or higher spur gear is suggested.

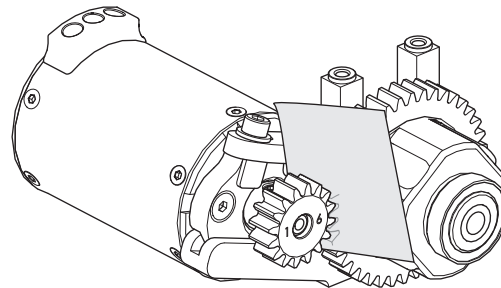
## CHANGING THE PINION GEAR/GEAR RATIO

1. Remove the screw holding the pinion gear cover in place.
2. Loosen the set screw and remove the installed pinion gear.
3. Loosen the motor screws and slide the motor back.
4. Place the new pinion on the end of the motor shaft so the set screw is located over the flat on the shaft.
5. Position it so the teeth line up with the spur gear and secure the pinion by tightening the set screw.
6. Set the gear mesh.

## SETTING THE GEAR MESH

The gear mesh has already been set at the factory. Setting it is only necessary when changing motors or gears.

Proper gear mesh (how gear teeth meet) is important to the performance of the vehicle. When the gear mesh is too loose, the spur gear could be damaged by the pinion gear of the motor. If the mesh is too tight, speed could be limited and the motor and ESC will overheat.



1. Loosen the motor screws and slide the motor back.
2. Put a small piece of paper between the pinion and spur gears.
3. Push the gears together while tightening the motor screws.
4. Remove the paper. Check the mesh at 3–5 different locations around the spur gear for a small amount of movement.
5. Install the gear cover.

**NOTICE:** If you are using a 2S Li-Po battery, use the included 17T Pinion gear. If you are using a 3S Li-Po battery, use the optional 15T pinion gear (included). Using a 17T pinion gear with a 3S Li-Po battery will result in damage to the ESC and motor.

## TELEMETRY SETTINGS

If using the Spektrum Dashboard app or the optional speedometer module on your transmitter, set the motor pole count to 4 and the rollout distance to 1.5" (38.1mm).

## TROUBLESHOOTING GUIDE

PROBLEM	POSSIBLE CAUSE	SOLUTION
Vehicle does not operate	Battery not charged or plugged in	Charge battery/plug in
	ESC switch not "On"	Turn on ESC switch
	Transmitter not "On" or low battery	Turn on/replace batteries
Motor runs but wheels do not rotate	Pinion not meshing with spur gear	Adjust pinion/spur mesh
	Pinion spinning on motor shaft	Tighten pinion gear setscrew on motor shaft flat spot
	Transmission gears stripped	Replace transmission gears
	Drive pin broken	Check and replace drive pin
Steering does not work	Servo plug not in receiver properly	Make sure the steering servo plug is connected to the receiver steering channel, noting proper polarity
	Servo gears or motor damaged	Replace or repair servo
Will not turn one direction	Servo gears damaged	Replace or repair servo
Motor does not run	Motor wire solder joint is damaged	Resolder the motor wire with the proper equipment
	Motor wire broken	Repair or replace as needed
	ESC damaged	Contact Horizon Hobby Product Support
ESC gets hot	Motor over-gearred	Use smaller pinion or larger spur gear
	Driveline bound up	Check wheels and transmission for binding
Poor run time and/or sluggish acceleration	Battery pack not fully charged	Recharge battery
	Charger not allowing full charge	Try another charger
	Driveline bound up	Check wheels, transmission for binding
Poor range and/or glitching	Transmitter batteries low	Check and replace
	Vehicle battery low	Recharge battery
	Loose plugs or wires	Check all wire connections and plugs

## LIMITED WARRANTY

### What this Warranty Covers

Horizon Hobby, LLC, (Horizon) warrants to the original purchaser that the product purchased (the "Product") will be free from defects in materials and workmanship for a period of 2 years from the date of purchase.

### What is Not Covered

This warranty is not transferable and does not cover (i) cosmetic damage, (ii) damage due to acts of God, accident, misuse, abuse, negligence, commercial use, or due to improper use, installation, operation or maintenance, (iii) modification of or to any part of the Product, (iv) attempted service by anyone other than a Horizon Hobby authorized service center, (v) Product not purchased from an authorized Horizon dealer, or (vi) Product not compliant with applicable technical regulations or (vii) use that violates any applicable laws, rules, or regulations. OTHER THAN THE EXPRESS WARRANTY ABOVE, HORIZON MAKES NO OTHER WARRANTY OR REPRESENTATION, AND HEREBY DISCLAIMS ANY AND ALL IMPLIED WARRANTIES, INCLUDING, WITHOUT LIMITATION, THE IMPLIED WARRANTIES OF NON-INFRINGEMENT, MERCHANTABILITY AND FITNESS FOR A PARTICULAR PURPOSE. THE PURCHASER ACKNOWLEDGES THAT THEY ALONE HAVE DETERMINED THAT THE PRODUCT WILL SUITABLY MEET THE REQUIREMENTS OF THE PURCHASER'S INTENDED USE.

### Purchaser's Remedy

Horizon's sole obligation and purchaser's sole and exclusive remedy shall be that Horizon will, at its option, either (i) service, or (ii) replace, any Product determined by Horizon to be defective. Horizon reserves the right to inspect any and all Product(s) involved in a warranty claim. Service or replacement decisions are at the sole discretion of Horizon. Proof of purchase is required for all warranty claims. SERVICE OR REPLACEMENT AS PROVIDED UNDER THIS WARRANTY IS THE PURCHASER'S SOLE AND EXCLUSIVE REMEDY.

### Limitation of Liability

HORIZON SHALL NOT BE LIABLE FOR SPECIAL, INDIRECT, INCIDENTAL OR CONSEQUENTIAL DAMAGES, LOSS OF PROFITS OR PRODUCTION OR COMMERCIAL LOSS IN ANY WAY, REGARDLESS OF WHETHER SUCH CLAIM IS BASED IN CONTRACT, WARRANTY, TORT, NEGLIGENCE, STRICT LIABILITY OR ANY OTHER THEORY OF LIABILITY, EVEN IF HORIZON HAS BEEN ADVISED OF THE POSSIBILITY OF SUCH DAMAGES. Further, in no event shall the liability of Horizon exceed the individual price of the Product on which liability is asserted. As Horizon has no control over use, setup, final assembly, modification or misuse, no liability shall be assumed nor accepted for any resulting damage or injury. By the act of use, setup or assembly, the user accepts all resulting liability. If you as the purchaser or user are not prepared to accept the liability associated with the use of the Product, purchaser is advised to return the Product immediately in new and unused condition to the place of purchase.



**Law**

These terms are governed by Illinois law (without regard to conflict of law principals). This warranty gives you specific legal rights, and you may also have other rights which vary from state to state. Horizon reserves the right to change or modify this warranty at any time without notice.

**WARRANTY SERVICES****Questions, Assistance, and Services**

Your local hobby store and/or place of purchase cannot provide warranty support or service. Once assembly, setup or use of the Product has been started, you must contact your local distributor or Horizon directly. This will enable Horizon to better answer your questions and service you in the event that you may need any assistance. For questions or assistance, please visit our website at [www.horizonhobby.com](http://www.horizonhobby.com), submit a Product Support Inquiry, or call the toll free telephone number referenced in the Warranty and Service Contact Information section to speak with a Product Support representative.

**Inspection or Services**

If this Product needs to be inspected or serviced and is compliant in the country you live and use the Product in, please use the Horizon Online Service Request submission process found on our website or call Horizon to obtain a Return Merchandise Authorization (RMA) number. Pack the Product securely using a shipping carton. Please note that original boxes may be included, but are not designed to withstand the rigors of shipping without additional protection. Ship via a carrier that provides tracking and insurance for lost or damaged parcels, as Horizon is not responsible for merchandise until it arrives and is accepted at our facility. An Online Service Request is available at [http://www.horizonhobby.com/content/service-center\\_render-service-center](http://www.horizonhobby.com/content/service-center_render-service-center). If you do not have internet access, please contact Horizon Product Support to obtain a RMA number along with instructions for submitting your product for service. When calling Horizon, you will be asked to provide your complete name, street address, email address and phone number where you can be reached during business hours. When sending product into Horizon, please include your RMA number, a list of the included items, and a brief summary of the problem. A copy of your original sales receipt must be included for warranty consideration. Be sure your name, address, and RMA number are clearly written on the outside of the shipping carton.

**NOTICE: Do not ship Li-Po batteries to Horizon. If you have any issue with a Li-Po battery, please contact the appropriate Horizon Product Support office.**

**Warranty Requirements**

**For Warranty consideration, you must include your original sales receipt verifying the proof-of-purchase date.** Provided warranty conditions have been met, your Product will be serviced or replaced free of charge. Service or replacement decisions are at the sole discretion of Horizon.

**Non-Warranty Service**

**Should your service not be covered by warranty, service will be completed and payment will be required without notification or estimate of the expense unless the expense exceeds 50% of the retail purchase cost.** By submitting the item for service you are agreeing to payment of the service without notification. Service estimates are available upon request. You must include this request with your item submitted for service. Non-warranty service estimates will be billed a minimum of ½ hour of labor. In addition you will be billed for return freight. Horizon accepts money orders and cashier's checks, as well as Visa, MasterCard, American Express, and Discover cards. By submitting any item to Horizon for service, you are agreeing to Horizon's Terms and Conditions found on our website [http://www.horizonhobby.com/content/service-center\\_render-service-center](http://www.horizonhobby.com/content/service-center_render-service-center).

**ATTENTION: Horizon service is limited to Product compliant in the country of use and ownership. If received, a non-compliant Product will not be serviced. Further, the sender will be responsible for arranging return shipment of the un-serviced Product, through a carrier of the sender's choice and at the sender's expense. Horizon will hold non-compliant Product for a period of 60 days from notification, after which it will be discarded.**

10/15

**WARRANTY AND SERVICE CONTACT INFORMATION**

Country of Purchase	Horizon Hobby	Contact Information	Address
United States of America	Horizon Service Center (Repairs and Repair Requests)	<a href="http://servicecenter.horizonhobby.com/RequestForm/">servicecenter.horizonhobby.com/RequestForm/</a>	2904 Research Rd. Champaign, Illinois, 61822 USA
	Horizon Product Support (Product Technical Assistance)	<a href="mailto:productsupport@horizonhobby.com">productsupport@horizonhobby.com</a> 877-504-0233	
	Sales	<a href="mailto:websales@horizonhobby.com">websales@horizonhobby.com</a> 800-338-4639	
European Union	Horizon Technischer Service	<a href="mailto:service@horizonhobby.de">service@horizonhobby.de</a> +49 (0) 4121 2655 100	Hanskampring 9 D 22885 Barsbüttel, Germany
	Sales: Horizon Hobby GmbH		

**FCC INFORMATION**

FCC ID: BRWDX3Q2UC

FCC ID: BRWSRS6200A

This equipment complies with FCC and IC radiation exposure limits set forth for an uncontrolled environment. This equipment should be installed and operated with minimum distance 20cm between the radiator and/or antenna and your body (excluding fingers, hands, wrists, ankles and feet). This transmitter must not be co-located or operating in conjunction with any other antenna or transmitter.

**Supplier's Declaration of Conformity**

**LOSI Tenacity Desert Buggy Pro with SMART Technology, RTR: 1/10 4WD (LOS03027)**

**FCC** This device complies with part 15 of the FCC Rules. Operation is subject to the following two conditions: (1) This device may not cause harmful interference, and (2) this device must accept any interference received, including interference that may cause undesired operation.



**CAUTION:** Changes or modifications not expressly approved by the party responsible for compliance could void the user's authority to operate the equipment.

**NOTE:** This equipment has been tested and found to comply with the limits for a Class B digital device, pursuant to part 15 of the FCC Rules. These limits are designed to provide reasonable protection against harmful interference in a residential installation. This equipment generates, uses and can radiate radio frequency energy and, if not installed and used in accordance with the instructions, may cause harmful interference to radio communications. However, there is no guarantee that interference will not occur in a particular installation. If this equipment does cause harmful interference to radio or television reception, which can be determined by turning the equipment off and on, the user is

encouraged to try to correct the interference by one or more of the following measures:

- Reorient or relocate the receiving antenna.
- Increase the separation between the equipment and receiver.
- Connect the equipment into an outlet on a circuit different from that to which the receiver is connected.
- Consult the dealer or an experienced radio/TV technician for help.

Horizon Hobby, LLC

2904 Research Rd., Champaign, IL 61822

Email: [compliance@horizonhobby.com](mailto:compliance@horizonhobby.com)Web: [HorizonHobby.com](http://HorizonHobby.com)**IC INFORMATION**

**CAN ICES-3 (B)/NMB-3(B)**  
**Contains IC: 6157A-KATY1T**  
**6157A-DX3Q2UC**  
**6157A-SRS6200A**

This device contains license-exempt transmitter(s)/receiver(s) that comply with Innovation, Science, and Economic Development Canada's license-exempt RSS(s). Operation is subject to the following 2 conditions:

1. This device may not cause interference.
2. This device must accept any interference, including interference that may cause undesired operation of the device.

**COMPLIANCE INFORMATION FOR THE EUROPEAN UNION**

**CE** **EU Compliance Statement:**  
**Losi Tenacity Desert Buggy Pro, RTR (LOS03027)**

Hereby, Horizon Hobby, LLC declares that the device is in compliance with the following: EU RED 2014/53/EU; RoHS 2 Directive 2011/65/EU; RoHS 3 Directive - Amending 2011/65/EU Annex II 2015/863.

The full text of the EU declaration of conformity is available at the following internet address: <https://www.horizonhobby.com/content/support-render-compliance>.

**NOTE:** This product contains batteries that are covered under the 2006/66/EC European Directive, which cannot be disposed of with normal household waste. Please follow local regulations.

**Wireless Frequency Range and Wireless Output Power:****Transmitter:**

2402–2478MHz

17.7 dBm

**Receiver:**

2404–2476MHz

5.58dBm

**EU Manufacturer of Record:**

Horizon Hobby, LLC  
2904 Research Road  
Champaign, IL 61822 USA

**EU Importer of Record:**

Horizon Hobby, GmbH  
Hanskampring 9  
22885 Barsbüttel Germany

**WEEE NOTICE:**

This appliance is labeled in accordance with European Directive 2012/19/EU concerning waste of electrical and electronic equipment (WEEE). This label indicates that this product should not be disposed of with household waste. It should be deposited at an appropriate facility to enable recovery and recycling.

## HINWIS

Allen Anweisungen, Garantien und anderen zugehörigen Dokumenten sind Änderungen nach Ermessen von Horizon Hobby, LLC vorbehalten. Aktuelle Produktliteratur finden Sie unter [www.horizonhobby.com](http://www.horizonhobby.com) oder [www.towerhobbies.com](http://www.towerhobbies.com) im Support-Abschnitt für das Produkt.


## ERKLÄRUNG DER BEGRIFFE

Die folgenden Begriffe werden in der gesamten Produktliteratur verwendet, um auf unterschiedlich hohe Gefahrenrisiken beim Betrieb dieses Produkts hinzuweisen:


**WARNUNG:** Wenn diese Verfahren nicht korrekt befolgt werden, ergeben sich wahrscheinlich Sachschäden, Kollateralschäden und schwere Verletzungen ODER mit hoher Wahrscheinlichkeit oberflächliche Verletzungen.

**ACHTUNG:** Wenn diese Verfahren nicht korrekt befolgt werden, ergeben sich wahrscheinlich Sachschäden UND die Gefahr von schweren Verletzungen.

**HINWEIS:** Wenn diese Verfahren nicht korrekt befolgt werden, können sich möglicherweise Sachschäden UND geringe oder keine Gefahr von Verletzungen ergeben.

 **WARNUNG:** Lesen Sie die GESAMTE Bedienungsanleitung, um sich vor dem Betrieb mit den Produktfunktionen vertraut zu machen. Wird das Produkt nicht korrekt betrieben, kann dies zu Schäden am Produkt oder persönlichem Eigentum führen oder schwere Verletzungen verursachen.

Dies ist ein hochentwickeltes Hobby-Produkt. Es muss mit Vorsicht und gesundem Menschenverstand betrieben werden und benötigt gewisse mechanische Grundfähigkeiten. Wird dieses Produkt nicht auf eine sichere und verantwortungsvolle Weise betrieben, kann dies zu Verletzungen oder Schäden am Produkt oder anderen Sachwerten führen. Versuchen Sie nicht ohne Genehmigung durch Horizon Hobby, LLC, das Produkt zu zerlegen, es mit inkompatiblen Komponenten zu verwenden oder auf jegliche Weise zu erweitern. Diese Bedienungsanleitung enthält Anweisungen für Sicherheit, Betrieb und Wartung. Es ist unbedingt notwendig, vor Zusammenbau, Einrichtung oder Verwendung alle Anweisungen und Warnhinweise im Handbuch zu lesen und zu befolgen, damit es bestimmungsgemäß betrieben werden kann und Schäden oder schwere Verletzungen vermieden werden.

 **WARNUNG zu Gefälschten Produkten** Bitte kaufen Sie Ihre Spektrum Produkte immer von einem autorisiertem Händler um sicherzu stellen, dass Sie ein authentisches hochqualitatives original Spektrum Produkt gekauft haben. Horizon Hobby lehnt jede Unterstützung, Service oder Garantieleistung von gefälschten Produkten oder Produkten ab die von sich in Anspruch nehmen kompatibel mit Spektrum oder DSM zu sein.

## Nicht geeignet für Kinder unter 14 Jahren. Dies ist kein Spielzeug.

### SICHERHEITSHINWEISE UND WARNUNGEN

Als Nutzer dieses Produktes, sind Sie allein verantwortlich, es in einer Art und Weise zu benutzen, die eine eigene Gefährdung und die anderer oder Beschädigung an anderem Eigentum ausschließt.

Das Modell ist ferngesteuert und anfällig für bestimmte äußere Einflüsse. Diese Einflüsse können zum vorübergehenden Verlust der Steuerfähigkeit führen, so dass es immer sinnvoll ist genügend Sicherheitsabstand in alle Richtungen um das Modell zu haben.

- Fahren Sie das Modell nie mit fast leeren oder schwachen Senderbatterien.
- Betreiben Sie Ihr Modell stets auf offenen Geländen, weit ab von Automobilen, Verkehr und Menschen.
- Fahren Sie Ihr Modell nicht auf der Straße oder belebten Plätzen.
- Beachten Sie vorsichtig alle Hinweise und Warnungen für das Modell und allen dazu gehörigen Equipment.
- Halten Sie alle Chemikalien, Kleinteile und elektrische Bauteile aus der Reichweite von Kindern.

- Lecken Sie niemals an Teilen von Ihrem Modell oder nehmen diese in den Mund, da diese Sie ernsthaft verletzen oder töten können.
- Seien Sie immer aufmerksam wenn Sie Werkzeug oder scharfe Instrumente verwenden.
- Seien Sie bei dem Bau vorsichtig, da einige Teile scharfe Kanten haben könnten.
- Fassen Sie bitte unmittelbar nach dem Betrieb nicht den Motor, Regler oder Akku an, da diese Teile sich sehr erwärmen können und Sie sich bei dem berühren ernsthaft verbrennen können.
- Fassen Sie nicht in drehende oder sich bewegende Teile, da sich ernsthaft dabei verletzen können.
- Schalten Sie immer zuerst den Sender ein, bevor Sie den Empfänger im Fahrzeug einschalten.
- Stellen Sie das Fahrzeug mit den Rädern nicht auf den Boden, wenn Sie die Funktionen überprüfen.

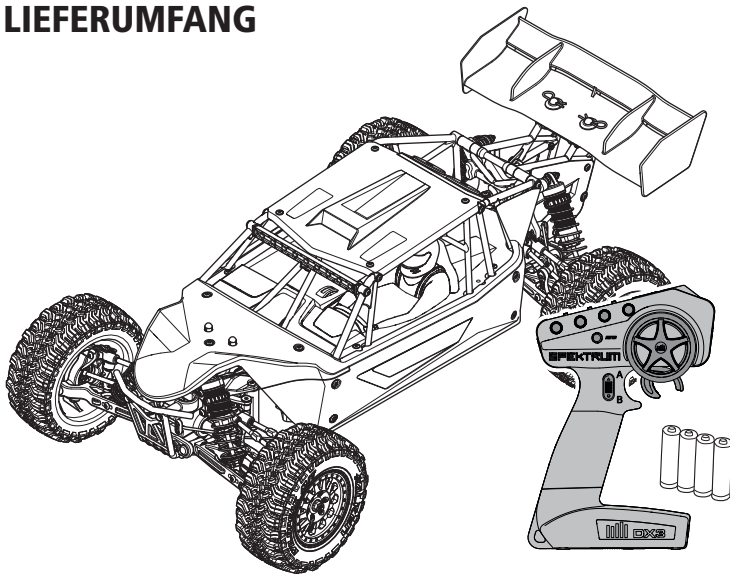
## TABLE OF CONTENTS

LIEFERUMFANG.....	11
KOMponenten.....	11
WASSERFESTES FAHRZEUG MIT SPRITZWASSERGESCHÜTZTER ELEKTRONIK .....	11
ALLGEMEINE SICHERHEITSHINWEISE .....	11
WARTUNGSANLEITUNG NACH FAHRTEN IN NASSER UMGEBUNG.....	11
QUICK START.....	11
LADEN DES AKKUS.....	11
EINSETZEN DES AKKUS.....	12
SPEKTRUM DX3 RADIO SYSTEM .....	12
EINSETZEN DES SENDER AKKUS.....	12
SR6200A AVC TECHNOLOGIEEMPFÄNGER .....	12
AUX-KANÄLE.....	12
DEAKTIVIERUNG DER AVC-TECHNOLOGIE.....	13
FAILSAFE .....	13
SICHERHEITSHINWEISE BEIM FAHREN .....	13
EINSCHALTEN DES FAHRZEUGES.....	13
BEVOR SIE IHR FAHRZEUG FAHREN .....	13
EINSTELLEN DES GAINWERTES .....	13
LAUFZEIT.....	14
SO VERLÄNGERN SIE DIE LAUFZEIT .....	14
DURCHFÜHREN EINES STEUERTEST .....	14
ÄNDERN DER SERVOWEGEINSTELLUNGEN.....	14

SPEKTRUM FIRMA SMART 130 A BÜRSTENLOSER GESCHWINDIGKEITSREGLER (SPMXSE1130) .....	14
TECHNISCHE DATEN .....	14
LED-STATUS DES GESCHWINDIGKEITSREGLERS .....	14
AKKUSTISCHE WARNTÖNE.....	14
VORGEHENSWEISE ZUR KALIBRIERUNG DES GESCHWINDIGKEITSREGLERS.....	14
DER MOTOR WIRD NACH DER KALIBRIERUNG NORMAL FUNKTIONIEREN. ....	14
FUNKTIONEN UND MODI DES GESCHWINDIGKEITSREGLERS.....	15
PROGRAMMIERTABELLE .....	15
VORGEHENSWEISE ZUM PROGRAMMIEREN DES GESCHWINDIGKEITSREGLERS .....	15
BESCHREIBUNGEN.....	15
SPEKTRUM FIRMA 3150KV BRUSHLESS MOTOR .....	16
SICHERHEITSHINWEISE .....	16
ÜBERSETZUNG .....	16
WECHSEL DES RITZELS/ ÜBERSETZUNG.....	16
EINSTELLEN DES ZAHNFLANKENSPIELS .....	16
TELEMETRIEINSTELLUNGEN .....	16
PROBLEMLÖSUNG.....	16
GARANTIE UND SERVICE INFORMATIONEN.....	16
GARANTIE UND SERVICE KONTAKTINFORMATIONEN .....	17
RECHTLICHE INFORMATIONEN FÜR DIE EUROPÄISCHE UNION .....	17
TEILELISTE.....	34
EMPFÖHLENE TEILE.....	35
OPTIONALE TEILE.....	35
EXPLOSIONSZEICHNUNG .....	36



## LIEFERUMFANG



## KOMPONENTEN

- Losi TENACITY DB PRO RTR, AVC: 4WD Wüsten-Buggy im Maßstab 1:10 (LOS03027V2T1/T2)
- Spektrum™ DX3™ 2,4-GHz-Sender (SPM2340)
- Spektrum 6-Kanal DSMR® AVC® Oberflächenempfänger (SPMSR6200A)
- Spektrum 15KG 23T, wasserdichter Zahnrad servo aus Stahl (SPMS614S)
- Spektrum Firma™ SMART 130 A bürstenloser Geschwindigkeitsregler (SPMXSE1130)
- Spektrum Firma 3150 kV bürstenloser Motor (SPMXSM1000)
- 4 AA Akkus (für Sender)

## WASSERFESTES FAHRZEUG MIT SPRITZWASSERGESCHÜTZTER ELEKTRONIK

Ihr neues Horizon Hobby Fahrzeug wurde mit einer Kombination von wasserfesten und spritzwassergeschützten Komponenten ausgestattet, die den Betrieb des Fahrzeuges unter nassen Bedingungen inklusive Pfützen, Bächen, nassem Gras, Schnee oder sogar Regen ermöglichen.

Obwohl das Fahrzeug sehr wasserfest ausgelegt ist, ist es nicht vollständig wasserdicht und sollte NICHT wie ein U-Boot behandelt werden. Die verschiedenen elektronischen Komponenten wie der elektronische Fahrtregler (ESC), die Servos und Empfänger sind wasserdicht, die meisten mechanischen Komponenten sind nur wasserbeständig und sollten daher nicht untergetaucht werden.

Metallteile, inklusive Lager, Bolzen, Schrauben und Muttern wie auch die Kontakte in den elektrischen Kabeln sind für Korrosion anfällig wenn nicht zusätzliche Wartung nach jedem Betrieb in feuchter/nasser Umgebung erfolgt. Um die Langzeitleistung und die Garantie Ihres Fahrzeuges zu erhalten, müssen Sie die Wartung wie in der Wartungsanleitung nach Fahrten in nasser Umgebung beschrieben durchführen. Sollten Sie diese zusätzliche Wartung nicht ausführen wollen, dürfen Sie Ihr Fahrzeug unter diesen Bedingungen nicht betreiben.

**⚠️ ACHTUNG:** Mangelnde Aufmerksamkeit bei dem Gebrauch dieses Produktes in Verbindung mit den folgenden Sicherheitshinweisen könnte zu Fehlfunktionen und zum Verlust der Garantie führen.

### ALLGEMEINE SICHERHEITSHINWEISE

- Bitte lesen Sie sich die Wartungsanleitung nach Fahrten in nasser Umgebung sorgfältig durch und stellen sicher, dass Sie alle Werkzeuge für eine Wartung des Fahrzeuges haben.
- Sie können nicht alle Akkutypen für Fahrten in nasser Umgebung nutzen. Fragen Sie dazu vor dem Einsatz den Hersteller des Akkus. Achtsamkeit und Vorsicht ist notwendig wenn Sie LiPo Akkus in feuchten Umgebungen einsetzen.
- Die meisten Sender sind nicht wasserfest. Sehen Sie bitte dazu vor Inbetriebnahme in der Bedienungsanleitung Ihres Senders nach oder kontaktieren Sie den Hersteller.
- Nehmen Sie niemals den Sender bei Blitzen oder Gewitter in Betrieb.
- Betreiben Sie Ihr Fahrzeug nicht an Orten wo es in Kontakt mit Salzwasser oder verschmutzten, belasteten Gewässern kommen kann. Salzwasser ist sehr leitend und stark korrosionsfördernd, sein Sie daher sehr achtsam.
- Schon geringer Wasserkontakt kann den Motor beschädigen wenn er nicht für den Betrieb in Wasser ausgelegt ist. Sollte der Motor nass geworden sein geben Sie etwas Gas bis die meiste Feuchtigkeit vom Motor entfernt ist. Lassen Sie einen nassen Motor auf hoher Geschwindigkeit laufen wird dieses den Motor sehr schnell beschädigen.

## QUICK START

Bitte lesen die gesamte Bedienungsanleitung um den TENACITY RTR vollständig zu verstehen, einzustellen und Wartungen durchzuführen.

1. Bitte lesen Sie die Sicherheitshinweise in dieser Bedienungsanleitung.
2. Laden Sie den Fahrzeugakku. Lesen Sie die Warnungen zum Akku laden und Anweisungen zum Laden der Akkus
3. Setzen Sie die AA Batterien in den Sender ein. Verwenden Sie nur Alkaline Batterien oder wiederaufladbare Akkus.
4. Setzen Sie den vollständig geladenen Akku im Fahrzeug ein.
5. Schalten Sie immer erst den Sender und dann das Fahrzeug ein. Warten Sie 5 Sekunden damit sich der Regler initialisieren kann. Beim Ausschalten schalten Sie immer zuerst das Fahrzeug aus und dann den Sender.
6. Überprüfen Sie die Richtung von Lenkung und Gas. Überprüfen Sie ob die Servos in die richtige Richtung arbeiten.
7. Fahren Sie das Fahrzeug.
8. Führen Sie die erforderlichen Wartungsarbeiten durch.

## LADEN DES AKKUS

Wählen Sie einen Akku, der mit dem Spektrum Firma SMART 130 A bürstenlosen Geschwindigkeitsregler (SPMXSE1130) funktioniert. Wir empfehlen den Spektrum 5000 mAh 2S 7,4 V 50C SMART LiPo-Hartschalen-Akku mit IC5-Stecker (SPMX50002S50H5) oder den Spektrum 5000 mAh 3S 11,1 V 50C SMART LiPo IC5-Hartschalen-Akku mit IC5-Stecker (SPMX50003S50H5). Wählen Sie ein Ladegerät, das für das Laden von 2S und/oder 3S Li-Po Akkus vorgesehen ist.

- Fahren in nasser Umgebung kann die Lebenszeit des Motors reduzieren, da dieses den Motor stark beansprucht. Verändern Sie die Untersetzung zu einem kleinerem Ritzel oder größeren Zahnrad. Dieses erhöht das Drehmoment (und verlängert die Motorlebensdauer) bei dem Betrieb in Matsch, tieferen Pfützen oder anderen Bedingungen, die die Last des Motors für einen längeren Zeitraum erhöhen.

### WARTUNGSANLEITUNG NACH FAHRTEN IN NASSER UMGEBUNG

- Entfernen Sie Wasser in den Reifen durch Gas geben. Nehmen Sie die Karosserie ab, drehen das Fahrzeug auf den Kopf und geben ein paar Mal kurz Vollgas bis das Wasser aus dem Reifen entfernt ist.

**⚠️ ACHTUNG:** Entfernen Sie Wasser in den Reifen durch Gas geben. Nehmen Sie die Karosserie ab, drehen das Fahrzeug auf den Kopf und geben ein paar Mal kurz Vollgas bis das Wasser aus dem Reifen entfernt ist.

- Entfernen Sie die Akkupacks und trocknen die Kontakte. Sollten Sie einen Kompressor oder Druckluft zur Verfügung haben, blasen Sie damit das Wasser aus dem Motorgehäuse.
- Nehmen Sie die Reifen und Felgen vom Fahrzeug ab und spülen Sie vorsichtig mit einem Gartenschlauch ab. Vermeiden Sie die Lager oder den Antrieb direkt zu spülen.

**HINWEIS:** Verwenden Sie keinen Hochdruckreiniger um das Fahrzeug zu reinigen.

- Reinigen Sie das Fahrzeug mit Druckluft aus einem Kompressor oder einer Druckluftflasche und entfernen so das Wasser aus den Spalten und Ecken.
- Sprühen Sie alle Lager, Befestigungen und andere Metallteile mit einem wasserverdrängendem Leichtöl oder Schmiermittel ein. Sprühen Sie nicht den Motor ein.
- Lassen Sie das Fahrzeug vor dem Einlagern vollständig trocknen. Das Abtropfen von Wasser (und Öl) kann durchaus ein paar Stunden dauern.
- Erhöhen Sie die Wartungsintervalle (Demontage, Inspektion und schmieren) von folgenden Komponenten:
  - Vorder- und Hinterachse, Aufnahme und Lager.
  - Alle Antriebswellen Lager, Gehäuse, Getriebe und Differentiale.
  - Motor: reinigen Sie den Motor mit einem Aerosol Reiniger und ölen Sie dann die Lager mit leichtem Motoröl.

Wir empfehlen das Dynamite Passport P1 Mini Wechselstrom Ausgleichs- und -Entladegerät (DYN3015). In den Bedienungsanleitungen für Akku und Ladegerät finden Sie Informationen zur Nutzung, Sicherheit und zum Laden.

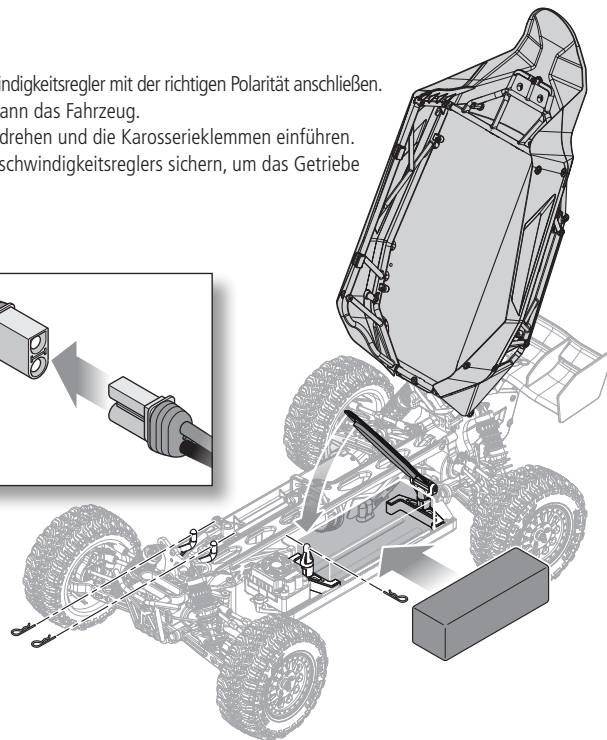
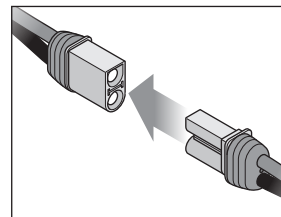
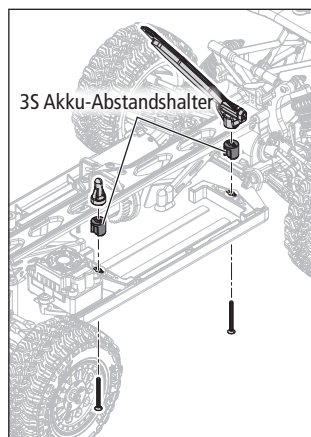
**WICHTIG:** Bei der Verwendung eines 3S-Akkus müssen Sie das Zahnradgetriebe des Motors auf das mit Ihrem Fahrzeug mitgelieferte 15T-Zahnradgetriebe ändern.

## EINSETZEN DES AKKUS

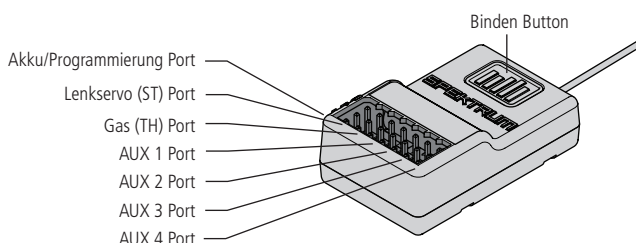
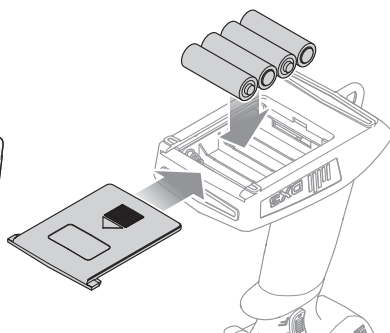
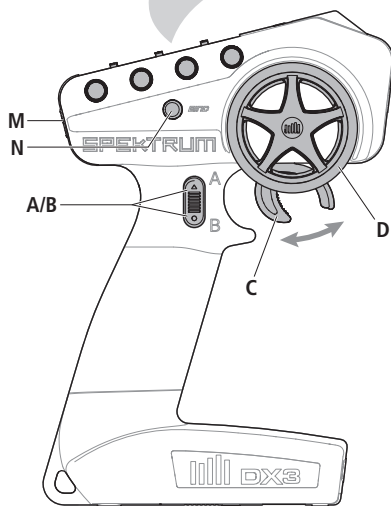
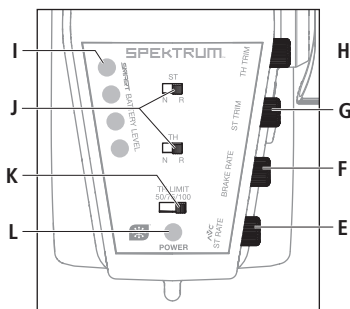
1. Achten Sie darauf, dass der Geschwindigkeitsregler ausgeschaltet ist.
2. Die Karosserieklemmen entfernen und das Fahrzeug auf den Kopf drehen.
3. Die Karosserieklemmen von den Akkuhalterungen entfernen und das Akkufach öffnen.
4. Den Akku in das Akkufach einlegen.
5. Die Akku-Klemme drehen und die Gehäuseklemme zum Sichern des Akkus einführen.

Das Fahrzeug ist werkseitig für die Verwendung eines 2S LiPo-Akkus eingerichtet. Zur Montage eines optionalen 3S LiPo-Akkus müssen die mitgelieferten Abstandhalter entsprechend der Abbildung dem Akkufach hinzugefügt werden.

**HINWEIS:** Bei der Verwendung eines 2S LiPo Akkus das mitgelieferte 17T Zahnradgetriebe verwenden. Bei der Verwendung eines 3S LiPo Akkus das optionale 15T Zahnradgetriebe (im Lieferumfang enthalten) verwenden. Die Verwendung eines 17T Zahnradgetriebes mit einem 3S LiPo-Akku führt zu Schäden am Geschwindigkeitsregler und Motor.



## SPEKTRUM DX3 RADIO SYSTEM



A/B. Taste Kanal 3

C. Throttle/Brake (Gas/Bremse)

D. Steuerrad

E. Steuerrate - Passt den Endpunkt der Steuerung an

F. Bremsrate - Passt den Endpunkt der Bremsung an.

G. Steuertrimmung - Zur Anpassung des Steuermittelpunkts. Normalerweise wird die Steuertrimmung solange eingestellt, bis das Fahrzeug gerade in der Spur läuft.

H. Gastrimmung - Zur Anpassung des Gasnullpunkts

I. Ladezustandsanzeige SMART-Akku

J. Umkehren der Servolaufrichtung - Um den Kanal für die Gaszufuhr (TH) oder die Steuerung (ST) umzukehren, die Position des entsprechenden Schalters umschalten – „N“ steht für normal, „R“ für Umkehren.

K. Begrenzung Gaszufuhr - Begrenzt die Gaszufuhr auf 50/75/100 % Wählen Sie 50 % oder 75 % für Fahrer mit geringer Erfahrung oder wenn das Fahrzeug in einem kleinen Bereich gefahren wird.

L. Strom-LED

- **Durchgängig rot:** Zeigt die Funkverbindung und die ausreichende Akkuladung an
- **Rot blinkend:** Zeigt an, dass die Akku-Spannung kritisch niedrig ist. Akkus ersetzen

M. Ein-/Auswahl

N. Bindungsschalter

### EINSETZEN DER SENDERBATTERIEN

Für den Betrieb sind 4 AA Batterien erforderlich.

1. Nehmen Sie die Batteriekappe vom Sender ab.
2. Setzen Sie die Batterien wie abgebildet ein.
3. Setzen Sie die Batteriekappe wieder auf.

**⚠️ ACHTUNG:** Entfernen Sie niemals Batterien aus dem Sender, während das Modell eingeschaltet ist. Ein Verlust der Kontrolle über das Modell, Schäden oder Verletzungen können auftreten.

**⚠️ ACHTUNG:** Wenn Sie wiederaufladbare Akkus verwenden dürfen Sie nur diese laden. Das Laden von nicht aufladbaren Batterien könnte diese zur Explosion bringen, was Sach- und Personenschäden zur Folge haben könnte.

**⚠️ ACHTUNG:** Es besteht Explosionsrisiko wenn die Akkus durch einen falschen Typ ersetzt werden. Entsorgen Sie verbrauchte Batterien den Vorschriften entsprechend.

### SR6200A AVC TECHNOLOGIEEMPFÄNGER

#### AUX-KANÄLE

Sie können die Aux Kanäle als zusätzliche Servokanäle betreiben oder zur Stromversorgung eines Transponders oder Beleuchtung.

Wenn der AVC aktiviert ist, nur 4 Kanäle; Lenkung, Gas, AUX3 und AUX4 sind sie betriebsbereit. Die übrigen Aux-Kanäle können verwendet werden, zur Stromversorgung eines persönlichen Transponder oder Lichter.

Ist das AVC System deaktiviert stehen die Aux Kanäle als Servokanäle zur Verfügung. Zur Deaktivierung sehen Sie bitte unter Deaktivieren der Stabilitäts-Assistenzfunktion nach.

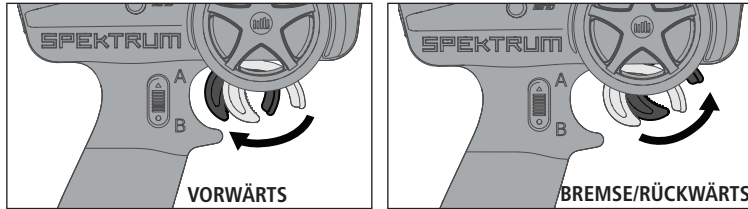
## BINDEN UND KALIBRIEREN DES EMPFÄNGERS

Bindung bezeichnet den Prozess zur Verknüpfung des SR6200A Empfängers mit dem Spektrum-Sender. Die AVC-Funktionen am Empfänger können während des Bindungsvorgangs aktiviert oder deaktiviert werden.

**WICHTIG:** Der Empfänger muss jedes Mal kalibriert werden, wenn er in den Bindungsmodus gebracht wird.

Bei der Erstinbetriebnahme nach der ersten Bindung müssen Servolaufriechung, Trimmung und Verfahrensweg des Modells konfiguriert werden. Damit er ordnungsgemäß funktioniert, muss der Empfänger anschließend den Einstellungen entsprechend erneut gebunden und kalibriert werden. Vorher die Lenkungs- und die Gastrimmung am Empfänger zentrieren.

1. Den Bindungsstecker in den BIND-Anschluss am Empfänger einstecken.
2. Den Empfänger einschalten. Die orangefarbene LED blinkt und zeigt an, dass der Empfänger im Bindungsmodus ist.
3. Den Sender in den Bindungsmodus bringen. Der Kopplungsvorgang ist abgeschlossen, wenn die LED auf den Receiver aufhört zu blinken und beständig leuchtet.
4. Den Senderhebel auf Vollgas bringen und dann zurück zur Mitte.



5. Den Senderhebel auf Vollbremsung bringen und dann zurück zur Mitte.
6. Das Steuerrad des Senders ganz nach rechts drehen und dann zurück zur Mitte.
7. Das Steuerrad des Senders ganz nach links drehen und dann zurück zur Mitte. Die orange LED leuchtet einmal auf.
8. Das Fahrzeug ausschalten, um den Bindungs- und Kalibrierungsvorgang abzuschließen.

## SICHERHEITSHINWEISE BEIM FAHREN

- Halten Sie stets Blickkontakt zum Fahrzeug.
- Prüfen Sie das Fahrzeug auf lose Radteile.
- Prüfen Sie die Lenkbaugruppe auf lose Teile. Wenn Sie das Fahrzeug im Gelände fahren, können sich Befestigungen mit der Zeit lockern.
- Fahren Sie das Fahrzeug nicht in hohem Gras. Dadurch können das Fahrzeug oder die Elektronik beschädigt werden.
- Halten Sie das Fahrzeug an, wenn Sie bemerken, dass der Antrieb nachlässt. Wenn Sie das Fahrzeug mit schwachem Akku fahren, kann sich der Empfänger ausschalten. Dann können Sie die Kontrolle über das Fahrzeug verlieren. Schäden durch einen tiefentladenen LiPo Akku sind nicht durch die Garantie gedeckt.

**ACHTUNG:** Entladen Sie einen Li-Po-Akku nicht unter 3 V pro Zelle. Akkus, die unter die angegebene Mindestspannung tiefentladen werden, können beschädigt werden, was die Leistung beeinträchtigen und möglicherweise beim Laden einen Brand verursachen kann.

- Drücken Sie den Gashebel nicht nach vorn oder hinten, wenn das Fahrzeug feststeckt. Wenn Sie in der Situation Gas geben kann der Motor oder der Regler (ESC) beschädigt werden.
- Lassen Sie nach jeder Fahrt die Elektronik auf Umgebungstemperatur abkühlen, bevor Sie das nächste Akkupack verwenden.

**WICHTIG:** Halten Sie alle Kabel weg von allen beweglichen Teilen.

## BEVOR SIE IHR FAHRZEUG FAHREN

1. Überprüfen Sie die Aufhängung. Alle beweglichen Teile der Aufhängung müssen sich frei bewegen lassen. Jedes schwergängige Teil vermindert die Leistung.
 

**TIPP:** Installieren Sie die im Lieferumfang enthaltenen Stoßdämpferdistanzringe um die Fahrzeughöhe und Bodenfreiheit anzupassen.
2. Laden Sie den Akkupacks. Laden Sie den Akku stets nach den Vorgaben des Herstellers oder nach den Vorgaben des Ladegerätherstellers
3. Einstellen der Lenktrimmung am Sender. Folgen Sie den Anweisungen zum Einstellen der Trimm- und Subtrimmfunktion, so dass das Fahrzeug ohne Steuereingabe geradeaus fährt.
4. Führen Sie einen Steuertest durch.

**ACHTUNG:** Wenn der Bindungsvorgang abgeschlossen ist, sind die Gas- und Steuerkanäle aktiv. Hände und lose Gegenstände von allen sich drehenden Teilen am Fahrzeug fernhalten.

**WICHTIG:** Sender und Empfänger müssen erneut gebunden werden, wenn:

- Servoumkehr nach dem Binden verändert wurde
- Verfahrensweg nach dem Binden verändert wurde
- Wenn die Ausrichtung der Empfängerhalterung verändert wird

## DEAKTIVIERUNG DER AVC-TECHNOLOGIE

Bei der Teilnahme an organisierten Rennen ist unter Umständen das Ausschalten der AVC-Technologie erforderlich. Während des Bindens kann AVC deaktiviert werden.

9. Den Empfänger mit Strom versorgen und die Bindungstaste dreimal (innerhalb von 1,5 Sekunden) kurz drücken und wieder loslassen.
10. Um den Empfänger in den Bindungsmodus zu versetzen, die Bindungstaste gedrückt halten und loslassen, sobald der Bindungsmodus durch schnelles Blinken der LED angezeigt wird.

Wenn das AVC-System deaktiviert worden ist, leuchtet die LED am Empfänger beim Einschalten drei Mal auf und bleibt dann erleuchtet. Der Empfänger ist gebunden und funktioniert normal, wenn die LED durchgängig leuchtet.

**TIPP:** Wenn die AVC-Funktion im Empfänger aktiv und das AVC-Menü im Sender blockiert ist, werden die AVC-Funktionen standardmäßig auf den AUX 1- oder AUX 2-Betrieb eingestellt, was in diesem Fall bedeutet, dass AVC nicht ordnungsgemäß funktioniert.

## FAILSAFE

In den unwahrscheinlichen Fall eines Verbindungsverlustes fährt der Empfänger den Gaskanal in die Neutralposition. Sollte der Empfänger vor dem Sender eingeschaltet worden sein, geht der Empfänger in den Failsafemode und fährt den Gaskanal auf die Neutralposition. Wird der Sender eingeschaltet besteht wieder normale Kontrolle.

**WICHTIG:** Die Failsafefunktion wird nur bei Signalverlust aktiv. Sie wird NICHT aktiv wenn die Spannung des Empfängerakkus unter die zulässige Grenze sinkt oder der Akku ausfällt.

## EINSCHALTEN DES FAHRZEUGES

1. Zentrieren Sie die ST TRIM und TH Trim Regler auf dem Sender.
2. Schalten Sie Sender ein.
3. Schließen Sie einen vollständig geladenen Akku an den Regler an.
4. Schalten Sie den Regler ein.

**WICHTIG:** Das Fahrzeug muß auf einem ebenen Untergrund vollkommen bewegungslos für mindestens 5 Sekunden stehen.

## EINSTELLEN DES GAINWERTES

Mit dem Drehregler ST RATE wählen Sie die Gainwert in dem Empfänger. Dieser Wert entspricht dem Stabilitätswert auf dem Empfänger. Wenn Sie diesen Wert erhöhen, erhöht sich die Systemempfindlichkeit nach links und rechts. Sie können die maximale Gaineinstellung während Vollgasfahrten oder bei Drag Racing wenn das Fahrzeug auf einer geraden Linie bleiben sollten. So verringert sich bei erhöhen des Gainwerts der mögliche Lenkausschlag.



Drehen Sie den ST Rate Drehknopf gegen den Uhrzeigersinn um den Gainwert zu reduzieren.

Drehen Sie den ST Rate Drehknopf im Uhrzeigersinn um den Gainwert zu erhöhen.

**WICHTIG:** Der ST RATE Drehknopf justiert nur den Gainwert wenn der Sender ein DSMR Empfänger ist. Wird der Sender an einen DSM, DSM2 oder SM Marine Empfänger gebunden, regelt der ST RATE Drehknopf den Dual Rate Wert.



## LAUFZEIT

Der größte Faktor bei der Fahrzeit ist die Kapazität des Akkupacks. Ein höherer mAh-Wert bedeutet eine längere Fahrzeit.

Der Zustand des Akkupacks ist ebenfalls ein wichtiger Faktor für Fahrzeit und Geschwindigkeit. Die Akkuanschlüsse können sich beim Fahren erhitzen. Akkus verlieren mit der Zeit an Leistung und Kapazität.

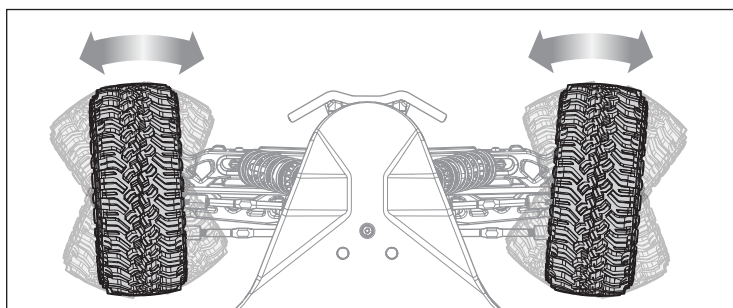
Wenn Sie das Fahrzeug wiederholt aus dem Stand auf die Höchstgeschwindigkeit beschleunigen, werden die Akkus und die Elektronik mit der Zeit beschädigt. Plötzliche Beschleunigung verkürzt außerdem die Fahrzeit.

### SO VERLÄNGERN SIE DIE LAUFZEIT

- Halten Sie Ihr Fahrzeug sauber und in gutem Wartungszustand.
- Erlauben Sie einen besseren Luftstrom zum Regler (ESC) und zum Motor.
- Wechseln Sie das Getriebe zu einem niedrigeren Übersetzungsverhältnis. Ein niedrigeres Übersetzungsverhältnis senkt die Betriebstemperatur der Elektronik. Verwenden Sie ein kleineres Ritzel oder ein größeres Stirnrad, um das Übersetzungsverhältnis zu senken.
- Verwenden Sie ein Akkupack mit einem höheren mAh-Wert.
- Verwenden Sie zum Laden ein geeignetes Ladegerät. Ihr Fachhändler berät Sie gerne.

## DURCHFÜHREN EINES STEUERTEST

Führen Sie den Funktionstest durch, ohne dass die Räder den Boden berühren. Sollten sich die Räder nach dem Einschalten drehen, justieren Sie die Gastrimmung mit TH Trim Knopf bis die Räder stoppen. Um die Räder nach vorne drehen zu lassen, ziehen Sie den Gashebel. Um rückwärts zu fahren warten Sie bis die Räder zum Stillstand gekommen sind und drücken dann den Hebel nach vorne. Bei der Vorwärtsfahrt sollte das Fahrzeug ohne Lenkeingabe geradeaus fahren. Falls nicht justieren Sie die Lenktrimmung mit dem ST Knopf bis das Fahrzeug geradeaus fährt.



## ÄNDERN DER SERVOWEGEINSTELLUNGEN

Heben Sie alle vier Räder des Fahrzeugs vom Boden ab, bevor Sie die Spiel-Einstellung vornehmen. Bei der Anpassung von Drossel- und Bremsenendpunkt drehen sich die Räder mit voller Geschwindigkeit. Bitten Sie eine andere Person, das Fahrzeug gut festzuhalten, während Sie die Einstellungen vornehmen.

**⚠ ACHTUNG:** Halten Sie Hände, Haare und lose Kleidung von beweglichen Teilen und insbesondere den Rädern fern, während Sie die Endpunkte des Spiels anpassen. Andernfalls können schwere Verletzungen erfolgen.

1. Halten Sie den Gashebel in der Vollbremsstellung, drehen das Lenkrad voll nach rechts während Sie den Sender einschalten. Die LED blinkt schnell und zeigt damit an, dass der Programmiermode aktiv ist.
2. Gas Endpunkt: Halten Sie den Gashebel auf Vollgas. Drehen Sie den TH TRIM Knopf um den Vollgasendpunkt einzustellen.
3. Brems Endpunkt: Halten Sie den Gashebel auf Vollbremsung. Drehen Sie den TH TRIM Knopf um den Vollbremspunkt einzustellen. Bringen Sie den Gashebel wieder in die Mittenposition.
4. Endpunkt Lenkung Links: Halten Sie das Lenkrad in der voll links Position. Drehen Sie den ST TRIM Knopf um die Größe des linken Lenkausschlages zu justieren.
5. Endpunkt Lenkung rechts: Halten Sie das Lenkrad in der voll rechts Position. Drehen Sie den ST TRIM Knopf um die Größe des rechten Lenkausschlages zu justieren. Drehen Sie dann den Lenkausschlag wieder in die Mittenposition.
6. Schalten Sie den Sender aus um die Servowegeinstellungen zu speichern. Der Mindest-Servoweg beträgt 75%, der Maximalweg beträgt 150%.

**WICHTIG:** Wurde auf der DX3 der Servoweg geändert, müssen Sie den SR6200A neu binden und kalibrieren.

## SPEKTRUM FIRMA SMART 130 A BÜRSTENLOSER GESCHWINDIGKEITSREGLER (SPMXSE1130)

### TECHNISCHE DATEN

Typ	Ohne Sensoren, SMART Throttle kompatibel
Ausgang	130 A/760 A
Funktion	Vorwärts/Bremse – Vorwärts/Bremse Rückwärts
Eingangsspannung	7,4 V – 14,8 V (Der Motor in diesem Fahrzeug unterstützt 14,8 V nicht)
BEC-Ausgang	6 V/4 A
Abmessungen (LxBxH)	57,5 mm x 46 mm x 38 mm
Gewicht	154 g

### LED-STATUS DES GESCHWINDIGKEITSREGLERS

- Wenn es kein Gasknüppel-Signal vom Sender gibt, leuchtet keine der Geschwindigkeitsregler-LEDs.
- Wenn es irgendein Gasknüppel-Signal vom Sender gibt, leuchtet die rote Geschwindigkeitsregler-LED.

### AKKUSTISCHE WARNTÖNE

1. **Eingangsspannung:** Der Geschwindigkeitsregler überprüft beim Einschalten die Eingangsspannung. Wird ein Spannungsproblem erkannt, dann wird der Geschwindigkeitsregler durchgängig 2 Töne mit 1 Sekunde Pause ausgeben (xx-xx-xx). Den Geschwindigkeitsregler ausschalten und sicherstellen, dass die Verbindungen gesichert sind und die Akku-Leistung für den sicheren Betrieb nicht zu niedrig ist.
2. **Funkverbindung:** Der Geschwindigkeitsregler überprüft beim Einschalten den Funksignaleingang. Wird ein Problem erkannt, dann wird der Geschwindigkeitsregler durchgängig 1 Ton mit 2 Sekunden Pause ausgeben (x--x--x). Den Geschwindigkeitsregler ausschalten und sicherstellen, dass das Funksystem korrekt arbeitet.

**HINWEIS:** Den Akku nach jeder Nutzung des Fahrzeugs vom Geschwindigkeitsregler abklemmen. Der Schalter des Geschwindigkeitsreglers kontrolliert nur die Stromversorgung von Empfänger und Servos. Ist der Geschwindigkeitsregler am Akku angeschlossen, zieht er weiterhin Strom, was möglicherweise zur Beschädigung des Akkus durch eine übermäßige Entladung führen kann.

### VORGEHENSWEISE ZUR KALIBRIERUNG DES GESCHWINDIGKEITSREGLERS

Vor der Kalibrierung des Geschwindigkeitsreglers das Verfahren zum Binden von Sender/ Empfänger abschließen.

1. Den Gaskanal des Senders auf 100 % Verfahrensweg setzen und die Gastrimmung zentrieren.
2. Einen Akku an das Akku-Kabel des Geschwindigkeitsreglers anschließen.
3. Schalten Sie den Sender ein.
4. Die SET-Taste gedrückt halten, während der Geschwindigkeitsregler eingeschaltet wird. Die SET-Taste freigeben, wenn die rote LED zu Blinken anfängt und anzeigt, dass sich der Geschwindigkeitsregler im Kalibrierungsmodus befindet. Der Geschwindigkeitsregler wird in den Programmiermodus wechseln, wenn die Taste für mehr als drei Sekunden gedrückt wird.

**TIPP:** Die rote LED sollte blinken, wenn der Geschwindigkeitsregler in den Kalibrierungsmodus wechselt. Blinkt die grüne LED, dann ist der Geschwindigkeitsregler in den Programmiermodus gewechselt. Den Geschwindigkeitsregler ausschalten und Schritt 4 wiederholen, indem die SET-Taste freigegeben wird, wenn die rote LED zu Blinken beginnt.

5. Die SET-Taste des Geschwindigkeitsreglers wird gedrückt und freigeben, während sich der Gasauslöser des Senders in der neutralen Position befindet. Die rote LED stoppt das Blinken, die grüne LED blinkt einmal und der Motor gibt einen Ton ab, wodurch angezeigt wird, dass die neutrale Position angenommen wurde.
6. Die SET-Taste des Geschwindigkeitsreglers wird gedrückt und freigeben, während der Gasauslöser auf der Position Vollgas gedrückt und gehalten wird. Die grüne LED wird zweimal blinken und der Motor wird zwei Töne ausgeben, wodurch angezeigt wird, dass die Vollgas-Position angenommen wurde.
7. Die SET-Taste wird gedrückt und freigeben, während der Gasauslöser in der Position Vollbremsung gedrückt und gehalten wird. Die grüne LED blinkt dreimal und der Motor gibt drei Töne ab, wodurch angezeigt wird, dass die Position für Vollbremsung angenommen wurde.

Der Motor wird nach der Kalibrierung normal funktionieren.

## FUNKTIONEN UND MODI DES GESCHWINDIGKEITSREGLERS

Der Geschwindigkeitsregler verfügt über Programmieroptionen, so dass Sie die Funktionsweise Ihres Fahrzeugs anpassen können. Um den Geschwindigkeitsregler für die Fahrsituation anzupassen, halten Sie sich an die mitgelieferte Programmiertabelle.

■ Default Settings

### PROGRAMMIERTABELLE

PROGRAMMIERELEMENTE	PROGRAMMIERWERT								
	1	2	3	4	5	6	7	8	9
<b>1. Fahrmodus</b>	Vorwärts mit Bremse	Vorwärts/Rückwärts mit Bremse	Vorwärts/Rückwärts						
<b>2. Bremskraft Motorbremse</b>	0 %	5 %	10 %	20 %	40 %	60 %	80 %	100 %	
<b>3. Niedrigtrennschaltung</b>	Schutz aufgehoben	2,6 V/Zelle	2,8 V/Zelle	3,0 V/Zelle	3,2 V/Zelle	3,4 V/Zelle			
<b>4. Start Modus</b>	Stufe 1	Stufe 2	Stufe 3	Stufe 4	Stufe 5	Stufe 6	Stufe 7	Stufe 8	Stufe 9
<b>5. Maximale Bremskraft</b>	25 %	50 %	75 %	100 %	Deaktivieren				
<b>6. Maximaler Umkehrschub</b>	25 %	50 %	75 %	100 %					
<b>7. Initiale Bremskraft</b>	Schleppbremse	0 %	20 %	40 %					
<b>8. Neutraler Bereich</b>	6 % (Eng)	9 % (Normal)	12 % (Weit)						
<b>9. Timing</b>	0,00°	3,75°	7,50°	11,25°	15,00°	18,75°	22,50°	26,25°	
<b>10. Motorumdrehung</b>	Gegen den Uhrzeigersinn	Im Uhrzeigersinn							
<b>11. Li-Po-Zellen</b>	Automatische Berechnung	2 Zellen	3 Zellen	4 Zellen	5 Zellen	6 Zellen			

### VORGEHENSWEISE ZUM PROGRAMMIEREN DES GESCHWINDIGKEITSREGLERS

Die Programmierung erfolgt mit Hilfe des SET-Knopfes auf dem EIN/AUS-Schalter\*.

1. Einen voll aufgeladenen Akku mit dem Geschwindigkeitsregler verbinden.
2. Schalten Sie den Sender ein.
3. Den Geschwindigkeitsregler einschalten.
4. Die SET-Taste gedrückt halten, bis die grüne LED blinkt. Die SET-Taste freigeben, um in den Programmiermodus zu wechseln.

**TIPP:** Zum Zurücksetzen aller Programmierparameter auf die Standardwerte, die Set-Taste für fünf Sekunden gedrückt halten

5. Die Set-Taste bei Bedarf drücken und freigeben, um durch die Programmierparameter zu gehen. Die Häufigkeit, mit der die grüne LED blinkt, entspricht der Nummer, die dem Programmierparameter in der Programmiertabelle gegeben wurde.
6. Die Set-Taste auf dem gewünschten Programmierparameter gedrückt halten, bis die rote LED blinkt, um das Element auszuwählen.
7. Die Set-Taste drücken und freigeben, um durch die für das Programmierparameter verfügbaren Werte basierend auf der Häufigkeit, mit der die LED blinkt, zu gehen. Siehe Programmiertabelle.
8. Einstellung durch Drücken und Halten der Set-Taste für 3 Sekunden speichern.
9. Den Geschwindigkeitsregler ausschalten, um den Programmiermodus zu verlassen oder die anderen Programmierparameter zu ändern.

\* Andere Programmierungsoptionen umfassen Spektrum SMART Firma Geschwindigkeitsregler Programmierbox (SPMXXA200) und SmartLink USB-Anwendung für das Aktualisieren und Programmieren. Siehe unter [SpektrumRC.com](http://SpektrumRC.com) zu weiteren Einzelheiten über die Spektrum SMART Firma Geschwindigkeitsregler.

## BESCHREIBUNGEN

### 1. Betriebsmode

- *Vorwärts mit Bremse*  
Geeignet für den Wettbewerbsbetrieb. Dieser Mode erlaubt nur Vorwärtsfahrt und Bremse.
- *Vorwärts/Rückwärts mit Bremse*  
Dieser Mode ist ein echter Universal Mode der Vorwärtsfahrt, Rückwärtsfahrt und Bremskontrolle ermöglicht. Um Rückwärts während der Vorwärtsfahrt zu aktivieren bremsen Sie bis das Fahrzeug steht, lassen die Bremse los und geben erneut Bremse. Wird während der Bremse oder Rückwärtsfahrt Vorwärts gegeben wird das Fahrzeug

### 2. Bremskraft Zugbremse

Diese Einstellung regelt den Anteil der Bremskraft der automatisch gegeben wird wenn der Gashebel zurück auf neutral gestellt wird. Dieses simuliert die Motorbremseffekt eine echten Fahrzeuges.

### 3. Schwellenwert Niederspannungsabschaltung

Diese Funktion hilft die Tiefentladung des Akkus zu verhindern. Der Regler überwacht dabei kontinuierlich die Akkuspannung. Sollte die Spannung länger als zwei Sekunden unter den Schwellenwert fallen wird die Leistung abgeschaltet und die rote LED blinkt zweimal wiederholt.  
Die Kalkulation des Schwellenwertes der Abschaltspannung basiert auf den einzelnen LiPo Zellen Spannungen. Ist bei NiMH Akku Packs die Spannung höher als 9,0 Volt wird er wie ein 3S LiPo Akku gewertet. Ist diese niedriger als 9,0 Volt wird er wie ein 2S LiPo Akkupack bewertet Beispiel: Bei einem 8,0V NiMH Akku Pack mit einer Abschaltspannung von 2,6V wird der Akku wie ein 2S LiPo gesehen und die Abschaltspannung beträgt 5,2V (2,6x2 = 5,2) Bei der Verwendung von der optionalen digitalen Programmierbox kann die Abschaltspannung individuell eingestellt werden. Im Gegensatz zu den vorgegebenden Werten beziehen sich die programmierbaren Werte auf die Gesamtspannung und nicht die einzelne Zellen spannung.

### 4. Start Mode (Punch)

Setzt den initialen Gaspunkt bei der Beschleunigung. Level 1 steht für eine sehr sanfte Beschleunigung, Level 9 gibt eine sehr starke Beschleunigung. Wenn Sie die Level 7, 8 oder 9 verwenden müssen Sie Hochleistungsakkus einsetzen. Mit nicht für diese Leistung ausgelegten Akkus könnte der Akku überlastet werden, was sich in schlechter Leistung oder anderen unerwarteten Ergebnissen zeigen könnte.

### 5. Maximale Bremskraft

Regelt die maximale Bremskraft. Ein höherer Wert liefert stärkere Bremsleistung und kann die Räder zum blockieren bringen was möglicherweise zu Kontrollverlust führt.

### 6. Maximale Rückwärtsleistung

Mit diesem Parameter können Sie die maximale Rückwärtsleistung einstellen.

### 7. Initiale Bremskraft (Mindest Bremskraft)

Stellt den mindest Bremsanteil bei Bedienung der Bremse ein. Die Werkseinstellung ist gleich mit der Zugbremse (Drag Brake) Eine größere Einstellung kann die die Räder zum blockieren bringen.

### 8. Neutral Bereich

Stellt die Sensitivität um den Neutralpunkt des Steuerknüppels ein. Ein höherer Wert hat zur Folge dass der Knüppel mehr bewegt werden muß damit das Auto vorwärts/rückwärts fährt oder bremsst.

### 9. Timing

Stellt das korrekte Motortiming ein. Mehr Timing bringt mehr Leistung kann aber aber weniger Effizienz und Schaden am Motor und/oder Regler durch Überhitzung und Überlast bedeuten.

**HINWEIS:** Stellen Sie immer sicher dass das Motor Timing korrekt eingestellt ist. Ein fehlerhaftes Timing kann den Motor und/oder Regler beschädigen. Bitte sehen Sie in der Bedienungsanleitung für die richtige Timereinstellung nach.

### 10. Motorentype

### 11. Drehrichtung Motor

Mit dieser Funktion können Sie die Drehrichtung des Motors ändern ohne dass Kabel getauscht werden müssen.

### 12. LiPo Zellen

Mit dieser Funktion können die angeschlossenen LiPo Zellen automatisch erkannt werden oder manuell eingegeben werden.

# SPEKTRUM FIRMA 3150KV BRUSHLESS MOTOR

## SICHERHEITSHINWEISE

- Fassen Sie niemals bewegte Teile an.
- Demontieren Sie nie das Fahrzeug oder Teile mit eingeletem Akku.
- Lassen Sie stets Teile abkühlen bevor Sie diese anfassen.

## ÜBERSETZUNG

Die Übersetzung des Fahrzeuges bietet eine ideale Kombination zwischen Geschwindigkeit, Kraft und Effizienz. Sollte Sie sich entscheiden ihr Fahrzeug mit optionalen Akkus oder Motoren auszurüsten könnte es notwendig sein, dass Sie das Ritzel oder Zahnrad wechseln müssen.

Der Einbau eines kleineren Ritzels mit weniger Zähnen oder einem größerem Zahnrad bietet mehr Drehmoment, reduziert aber die Höchstgeschwindigkeit. Montieren Sie ein größeres Ritzel und ein kleineres Zahnrad verhält es sich umgekehrt, das Drehmoment verringert sich und die Höchstgeschwindigkeit nimmt zu. Bitte achten Sie bei dem Testen verschiedener Konfigurationen auf die Temperatur des Motors und Reglers, um sicher zu stellen, dass sie sich in den zulässigen Temperaturbereichen der Komponenten bewegen. Der Motor und Regler dürfen nicht so heiß werden, dass sie ihn nicht mehr berühren können. Sollten die Temperatur zu hoch sein müssen sie eine andere Kombination mit kleinerem Ritzel oder größeren Zahnrad wählen.

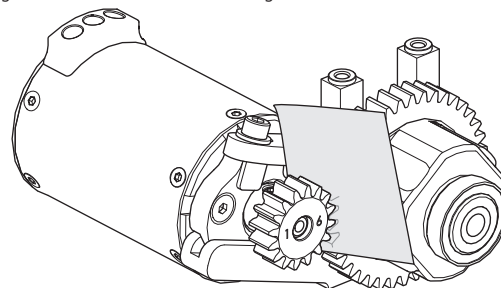
## WECHSEL DES RITZELS/ ÜBERSETZUNG

1. Entfernen Sie die Schraube, die Getriebedeckel festhält.
2. Lösen Sie die Madenschraube und nehmen das Ritzel ab.
3. Lösen Sie die Motorschrauben und schieben den Motor zurück.
4. Setzen Sie das neue Ritzel auf das Ende der Motorwelle und achten darauf, dass die Schraube über der flachen Seite der Welle ist.
5. Positionieren Sie das Ritzel so, dass es mit dem Zahnrad fluchtet und ziehen die Madenschraube an.
6. Legen Sie die Zahneingriff.

## EINSTELLEN DES ZAHNFLANKENSPIELS

Das Zahnflankenspiel ist bereits ab Werk eingestellt worden, Sie müssen es nur einstellen wenn Sie den Motor oder das Getriebe gewechselt haben.

Das korrekte Zahnflankenspiel ist sehr wichtig für die Leistung des Fahrzeuges. Ist das Spiel zu groß kann das Zahnrad vom Ritzel beschädigt werden. Ist das Spiel zu stramm könnte die Geschwindigkeit reduziert werden und der Regler überhitzen.



1. Lösen Sie die Motorschrauben und schieben den Motor zurück.
2. Legen Sie einen schmalen Streifen Papier zwischen Ritzel und Zahnrad.
3. Drücken Sie beide Zahnräder zusammen während Sie die Motorschrauben festdrehen.
4. Entfernen Sie das Papier. Überprüfen Sie das Zahnflankenspiel an 3 - 5 verschiedenen Punkten auf etwas Bewegungsspiel.
5. Installieren Getriebedeckel.

**HINWEIS:** Bei der Verwendung eines 2S LiPo Akkus das mitgelieferte 17T Zahnradgetriebe verwenden. Bei der Verwendung eines 3S LiPo Akkus das optionale 15T Zahnradgetriebe (im Lieferumfang enthalten) verwenden. Die Verwendung eines 17T Zahnradgetriebes mit einem 3S LiPo-Akku führt zu Schäden am Geschwindigkeitsregler und Motor.

## TELEMETRIEEINSTELLUNGEN

Bei der Verwendung der Spektrum Dashboard-Anwendung oder dem optionalen Tachometermodul auf dem Sender, den Motorpole-Zähler auf 4 einrichten und den Roll-out-Abstand auf 38,1 mm (1,5").

## PROBLEMLÖSUNG

PROBLEM	MÖGLICHE URSACHE	LÖSUNG
Fahrzeug funktioniert nicht	Akku nicht geladen oder eingesteckt	Akku laden/an Regler stecken
	Reglerschalter nicht auf ON (EIN) gestellt	Schalten Sie den Regler ein (ON)
	Sender nicht eingeschaltet (ON) oder Batterien leer	Einschalten (ON)/Batterien ersetzen
Motor läuft, aber Räder drehen nicht	Ritzel hat keinen Kontakt zum Zahnrad	Stellen Sie das Zahnflankenspiel ein
	Ritzel dreht auf Motorwelle	Ziehen Sie das Ritzel auf der Motorwelle an
	Zahnräder abgenutzt	Ersetzen Sie das Ritzel
Lenkung arbeitet nicht	Antriebsstift/Mitnehmer gebrochen	Überprüfen und ersetzen Sie den Mitnehmer
	Servostecker nicht richtig im Empfänger angeschlossen	Stellen Sie sicher dass der Servostecker richtig herum im richtigen Kanal angeschlossen wurde
	Servogetriebe oder Motor defekt	Ersetzen oder reparieren Sie das Servo
Lenkt nicht in eine Richtung	Servogetriebe beschädigt	Ersetzen oder reparieren Sie das Servo
Motor dreht nicht	Motoranschluß/Lötstelle ist beschädigt	Löten Sie das Kabel wieder an
	Motorkabel ist gebrochen	Reparieren oder ersetzen Sie wie benötigt
	Regler ist beschädigt	Kontaktieren Sie den technischen Service von Horizon Hobby
Regler wird heiß	Motorübersetzung falsch gewählt	Verwenden Sie kleinere Ritzel oder ein größeres Zahnrad
	Antrieb blockiert	Überprüfen Sie den Antrieb auf Blockieren
Geringe Laufzeit oder schlechte Beschleunigung	Akkupack nicht vollständig geladen	Laden Sie den Akku
	Ladegerät lädt nicht vollständig	Verwenden Sie anderes Ladegerät
	Antrieb behindert/blockiert	Überprüfen Sie Räder oder Antrieb auf Behinderung/Blockierung
Schlechte Reichweite oder Aussetzer	Senderbatterien leer	Überprüfen und ersetzen
	Fahrzeugakku leer	Laden Sie den Akku
	Lose Kabel oder Anschlüsse	Überprüfen Sie alle Anschlüsse und Stecker

## GARANTIE UND SERVICE INFORMATIONEN

### Warnung

Ein ferngesteuertes Modell ist kein Spielzeug. Es kann, wenn es falsch eingesetzt wird, zu erheblichen Verletzungen bei Lebewesen und Beschädigungen an Sachgütern führen. Betreiben Sie Ihr RC-Modell nur auf freien Plätzen und beachten Sie alle Hinweise der Bedienungsanleitung des Modells wie auch der Fernsteuerung.

### Garantiezeitraum

Exklusive Garantie Horizon Hobby LLC (Horizon) garantiert, dass dasgekaufte Produkt frei von Material- und Montagefehlern ist. Der Garantiezeitraum entspricht den gesetzlichen Bestimmung des Landes, in dem das Produkt erworben wurde. In Deutschland beträgt der Garantiezeitraum 6 Monate und der Gewährleistungszeitraum 18 Monate nach dem Garantiezeitraum.

### Einschränkungen der Garantie

(a) Die Garantie wird nur dem Erstkäufer (Käufer) gewährt und kann nicht übertragen werden. Der Anspruch des Käufers besteht in der Reparatur oder dem Tausch im Rahmen dieser Garantie. Die Garantie erstreckt sich ausschließlich auf Produkte, die bei einem autorisierten Horizon Händler erworben wurden. Verkäufe an dritte werden von dieser Garantie nicht gedeckt. Garantieansprüche werden nur angenommen, wenn ein gültiger Kaufnachweis erbracht wird. Horizon behält sich das Recht vor, diese Garantiebestimmungen ohne Ankündigung zu ändern oder modifizieren und widerruft dann bestehende Garantiebestimmungen.

(b) Horizon übernimmt keine Garantie für die Verkaufbarkeit des Produktes, die Fähigkeiten und die Fitness des Verbrauchers für einen bestimmten Einsatzzweck des Produktes. Der Käufer allein ist dafür verantwortlich, zu prüfen, ob das Produkt seinen Fähigkeiten und dem vorgesehenen Einsatzzweck entspricht.

(c) Ansprüche des Käufers → Es liegt ausschließlich im Ermessen von Horizon, ob das Produkt, bei dem ein Garantiefall festgestellt wurde, repariert oder ausgetauscht wird. Dies sind die exklusiven Ansprüche des Käufers, wenn ein Defekt festgestellt wird.

Horizon behält sich vor, alle eingesetzten Komponenten zu prüfen, die in den Garantiefall einbezogen werden können. Die Entscheidung zur Reparatur oder zum Austausch liegt nur bei Horizon. Die Garantie schließt kosmetische Defekte oder Defekte, hervorgerufen durch höhere Gewalt, falsche Behandlung des Produktes, falscher Einsatz des Produktes, kommerziellen Einsatz oder Modifikationen irgendwelcher Art aus.

Die Garantie schließt Schäden, die durch falschen Einbau, falsche Handhabung, Unfälle, Betrieb, Service oder Reparaturversuche, die nicht von Horizon ausgeführt wurden aus.

Ausgeschlossen sind auch Fälle die bedingt durch (vii) eine Nutzung sind, die gegen geltendes Recht, Gesetze oder Regularien verstoßen haben. Rücksendungen durch den Käufer direkt an Horizon oder eine seiner Landesvertretung bedürfen der Schriftform.



### Schadensbeschränkung

Horizon ist nicht für direkte oder indirekte Folgeschäden, Einkommensausfälle oder kommerzielle Verluste, die in irgendeinem Zusammenhang mit dem Produkt stehen verantwortlich, unabhängig ab ein Anspruch im Zusammenhang mit einem Vertrag, der Garantie oder der Gewährleistung erhoben werden. Horizon wird darüber hinaus keine Ansprüche aus einem Garantiefall akzeptieren, die über den individuellen Wert des Produktes hinaus gehen. Horizon hat keinen Einfluss auf den Einbau, die Verwendung oder die Wartung des Produktes oder etwaiger Produktkombinationen, die vom Käufer gewählt werden. Horizon übernimmt keine Garantie und akzeptiert keine Ansprüche für in der Folge auftretende Verletzungen oder Beschädigungen. Mit der Verwendung und dem Einbau des Produktes akzeptiert der Käufer alle aufgeführten Garantiebestimmungen ohne Einschränkungen und Vorbehalte.

Wenn Sie als Käufer nicht bereit sind, diese Bestimmungen im Zusammenhang mit der Benutzung des Produktes zu akzeptieren, werden Sie gebeten, das Produkt in unbenutztem Zustand in der Originalverpackung vollständig bei dem Verkäufer zurückzugeben.

### Sicherheitshinweise

Dieses ist ein hochwertiges Hobby Produkt und kein Spielzeug. Es muss mit Vorsicht und Umsicht eingesetzt werden und erfordert einige mechanische wie auch mentale Fähigkeiten. Ein Versagen, das Produkt sicher und umsichtig zu betreiben kann zu Verletzungen von Lebewesen und Sachbeschädigungen erheblichen Ausmaßes führen. Dieses Produkt ist nicht für den Gebrauch durch Kinder ohne die Aufsicht eines Erziehungsberechtigten vorgesehen. Die Anleitung enthält Sicherheitshinweise und Vorschriften sowie Hinweise für die Wartung und den Betrieb des Produktes. Es ist unabdingbar, diese Hinweise vor der ersten Inbetriebnahme zu lesen und zu verstehen. Nur so kann der falsche Umgang verhindert und Unfälle mit Verletzungen und Beschädigungen vermieden werden.

### Fragen, Hilfe und Reparaturen

Ihr lokaler Fachhändler und die Verkaufsstelle können eine Garantiebeurteilung ohne Rücksprache mit Horizon nicht durchführen. Dies gilt auch für Garantiereparaturen. Deshalb kontaktieren Sie in einem solchen Fall den Händler, der sich mit Horizon kurz schließen wird, um eine sachgerechte Entscheidung zu fällen, die Ihnen schnellst möglich hilft.

### Wartung und Reparatur

Muss Ihr Produkt gewartet oder repariert werden, wenden Sie sich entweder an Ihren Fachhändler oder direkt an Horizon.

Rücksendungen / Reparaturen werden nur mit einer von Horizon vergebenen RMA Nummer bearbeitet. Diese Nummer erhalten Sie oder ihr Fachhändler vom technischen Service. Mehr Informationen dazu erhalten Sie im Serviceportal unter [www.Horizonhobby.de](http://www.Horizonhobby.de) oder telefonisch bei dem technischen Service von Horizon.

Packen Sie das Produkt sorgfältig ein. Beachten Sie, dass der Originalkarton in der Regel nicht ausreicht, um beim Versand nicht beschädigt zu werden. Verwenden Sie einen Paketdienstleister mit einer Tracking Funktion und Versicherung, da Horizon bis zur Annahme keine Verantwortung für den Versand des Produktes übernimmt. Bitte legen Sie dem Produkt einen Kaufbeleg bei, sowie eine ausführliche Fehlerbeschreibung und eine Liste aller eingesendeten Einzelkomponenten. Weiterhin benötigen wir die vollständige Adresse, eine Telefonnummer für Rückfragen, sowie eine Email Adresse.

### Garantie und Reparaturen

Garantieanfragen werden nur bearbeitet, wenn ein Originalkaufbeleg von einem autorisierten Fachhändler beiliegt, aus dem der Käufer und das Kaufdatum hervorgeht. Sollte sich ein Garantiefall bestätigen wird das Produkt repariert oder ersetzt. Diese Entscheidung obliegt einzig Horizon Hobby.

### Kostenpflichtige Reparaturen

Liegt eine kostenpflichtige Reparatur vor, erstellen wir einen Kostenvorschlag, den wir Ihrem Händler übermitteln. Die Reparatur wird erst vorgenommen, wenn wir die Freigabe des Händlers erhalten. Der Preis für die Reparatur ist bei Ihrem Händler zu entrichten. Bei kostenpflichtigen Reparaturen werden mindestens 30 Minuten Werkstattzeit und die Rückversandkosten in Rechnung gestellt. Sollten wir nach 90 Tagen keine Einverständniserklärung zur Reparatur vorliegen haben, behalten wir uns vor, das Produkt zu vernichten oder anderweitig zu verwerten.

**ACHTUNG:** Kostenpflichtige Reparaturen nehmen wir nur für Elektronik und Motoren vor. Mechanische Reparaturen, besonders bei Hubschraubern und RC-Cars sind extrem aufwendig und müssen deshalb vom Käufer selbst –vorgenommen werden.

10/15

## GARANTIE UND SERVICE KONTAKTINFORMATIONEN

Land des Kauf	Horizon Hobby	Telefon/E-mail Adresse	Adresse
Europäische Union	Horizon Technischer Service	service@horizonhobby.de	Hanskampring 9
	Sales: Horizon Hobby GmbH	+49 (0) 4121 2655 100	D 22885 Barsbüttel, Germany

## RECHTLICHE INFORMATIONEN FÜR DIE EUROPÄISCHE UNION

**CE EU Konformitätserklärung:**  
**Losi Tenacity DB Pro , RTR (LOS03027)**  
 Hiermit erklärt Horizon Hobby, LLC, dass das Gerät den folgenden Richtlinien entspricht: EU-Richtlinie über Funkanlagen 2014/53/EU; RoHS 2-Richtlinie 2011/65 / EU; RoHS 3-Richtlinie - Änderung 2011/65 / EU-Anhang II 2015/863. Der vollständige Text der EU-Konformitätserklärung ist unter folgender Internetadresse abrufbar: <https://www.horizonhobby.com/content/support-render-compliance>.

### Drahtloser Frequenzbereich und Drahtlose Ausgangsleistung:

**Sender:**  
 2402–2478MHz  
 17.7 dBm  
**Empfänger:**  
 2404–2476MHz  
 5.58dBm



### Offizieller EU-Hersteller:

Horizon Hobby, LLC  
 2904 Research Road  
 Champaign, IL 61822 USA

### Offizieller EU-Importeur:

Horizon Hobby, GmbH  
 Hanskampring 9  
 22885 Barsbüttel Germany



### WEEE-HINWEIS:

Dieses Gerät ist gemäß der Europäischen Richtlinie 2012/19/EU über Elektround Elektronik-Altgeräte (WEEE) gekennzeichnet. Dieses Symbol weist darauf hin, dass dieses Produkt kein normaler Haushaltsabfall ist, sondern in einer entsprechenden Sammelstelle für Elektro- und Elektronik-Altgeräte entsorgt werden muss.

## REMARQUE

Toutes les instructions, garanties et autres documents de garantie sont sujets à la seule discrétion de Horizon Hobby, LLC. Veuillez, pour une littérature produits bien à jour, visiter [www.horizonhobby.com](http://www.horizonhobby.com) ou [www.towerhobbies.com](http://www.towerhobbies.com) et cliquer sur l'onglet de support de ce produit.


## SIGNIFICATION DE CERTAINS TERMES SPÉCIFIQUES

Les termes suivants sont utilisés dans l'ensemble du manuel pour indiquer différents niveaux de danger lors de l'utilisation de ce produit :


**AVERTISSEMENT** : Procédures qui, si elles ne sont pas suivies correctement, peuvent entraîner des dégâts matériels et des blessures graves OU engendrer une probabilité élevée de blessure superficielle.

**ATTENTION** : Procédures qui, si elles ne sont pas suivies correctement, peuvent entraîner des dégâts matériels ET des blessures graves.

**REMARQUE** : Procédures qui, si elles ne sont pas suivies correctement, peuvent entraîner des dégâts matériels ET éventuellement un faible risque de blessures.

 **AVERTISSEMENT** : Lisez la TOTALITÉ du manuel d'utilisation afin de vous familiariser avec les caractéristiques du produit avant de le faire fonctionner. Une utilisation incorrecte du produit peut entraîner sa détérioration, ainsi que des risques de dégâts matériels, voire de blessures graves.

Ceci est un produit de loisirs sophistiqué. Il doit être manipulé avec prudence et bon sens et requiert des aptitudes de base en mécanique. Toute utilisation irresponsable de ce produit ne respectant pas les principes de sécurité peut provoquer des blessures, entraîner des dégâts matériels et endommager le produit. Ce produit n'est pas destiné à être utilisé par des enfants sans la surveillance directe d'un adulte. N'essayez pas de démonter le produit, de l'utiliser avec des composants incompatibles ou d'en améliorer les performances sans l'accord d'Horizon Hobby, LLC. Ce manuel comporte des instructions relatives à la sécurité, au fonctionnement et à l'entretien. Il est capital de lire et de respecter la totalité des instructions et avertissements du manuel avant l'assemblage, le réglage et l'utilisation, ceci afin de manipuler correctement l'appareil et d'éviter tout dégât matériel ou toute blessure grave.

 **AVERTISSEMENT CONTRE LES PRODUITS CONTREFAITS** Toujours acheter chez un revendeur officiel Horizon hobby pour être sûr d'avoir des produits authentiques. Horizon Hobby décline toute garantie et responsabilité concernant les produits de contrefaçon ou les produits se disant compatibles DSM ou Spektrum..

## 14 ans et plus. Ceci n'est pas un jouet.

### PRÉCAUTIONS ET AVERTISSEMENTS LIÉS À LA SÉCURITÉ

En tant qu'utilisateur de ce produit, il est de votre seule responsabilité de le faire fonctionner d'une manière qui ne mette en danger ni votre personne, ni de tiers et qui ne provoque pas de dégâts au produit lui-même ou à la propriété d'autrui.

Ce modèle est contrôlé par un signal radio, qui peut être soumis à des interférences provenant de nombreuses sources hors de votre contrôle. Ces interférences peuvent provoquer une perte momentanée de contrôle. Il est donc conseillé de garder une bonne distance de sécurité tout autour de votre modèle, ce qui aidera à éviter les collisions ou les blessures.

- Ne faites jamais fonctionner votre modèle lorsque les batteries de l'émetteur sont faibles.
- Faites toujours fonctionner votre modèle dans une zone dégagée, à l'écart des voitures, de la circulation ou de personnes.
- Ne faites jamais et pour quelque raison que ce soit fonctionner votre modèle dans la rue ou dans des zones habitées.
- Respectez scrupuleusement les instructions et avertissement à cet effet ainsi que pour tous les équipements optionnels/complémentaires (chargeurs, packs de batteries rechargeables, etc.) que vous utilisez.
- Tenez tous les produits chimiques, les petites pièces et les composants électroniques hors de portée des enfants.

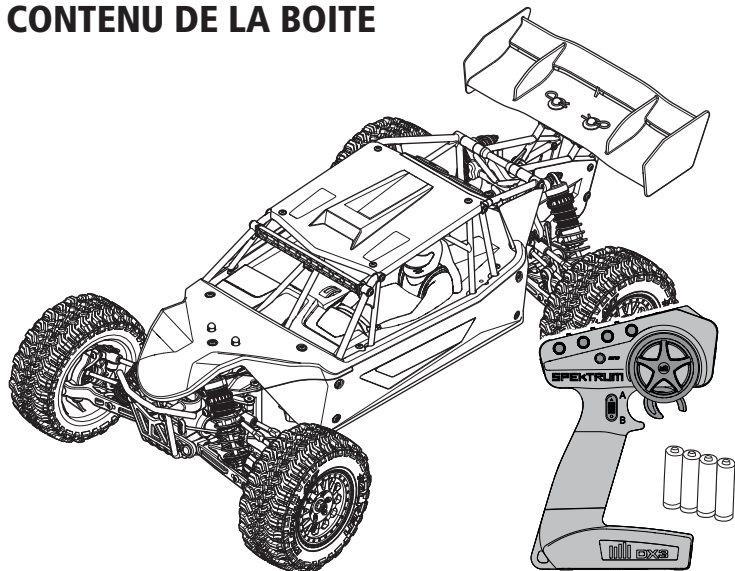
- Ne léchez ni ne mettez jamais en bouche quelque partie de votre modèle que ce soit, afin d'éviter tout risque de blessures graves, voire danger de mort.
- Faites bien attention lors de l'utilisation d'outils et lors de l'utilisation d'instruments coupants.
- Faites bien attention lors du montage, certaines pièces peuvent avoir des bords coupants.
- Après avoir utilisé votre modèle, NE touchez PAS à certaines de ces pièces telles que le moteur, le contrôleur électronique de vitesse et la batterie, car elles peuvent encore se trouver à des températures élevées. Vous risquez de vous brûler gravement en cas de contact avec elles.
- Ne mettez ni vos doigts ni aucun autre objet entre des pièces en rotation ou en mouvement, vous risqueriez des dommages ou des blessures graves.
- Allumez toujours votre émetteur avant d'allumer le récepteur du véhicule. Éteignez toujours le récepteur avant d'éteindre votre émetteur.
- Veillez à ce que les roues du modèle ne soient pas en contact avec le sol lorsque vous contrôlez le fonctionnement de votre équipement radio.

## TABLE OF CONTENTS

CONTENU DE LA BOITE.....	19
PIÈCES.....	19
VÉHICULE RÉSISTANT À L'EAU ET ÉQUIPÉ D'UNE ÉLECTRONIQUE ÉTANCHE.....	19
PRÉCAUTIONS GÉNÉRALES.....	19
MAINTENANCE EN CONDITIONS HUMIDES.....	19
DÉMARRAGE RAPIDE.....	19
CHARGE DE LA BATTERIE.....	19
INSTALLER LA BATTERIE.....	20
ÉMETTEUR SPEKTRUM DX3.....	20
INSTALLATION DES PILES DE L'ÉMETTEUR.....	20
RÉCEPTEUR SR6200A AVEC TECHNOLOGIE AVC.....	20
VOIES AUXILIAIRES.....	20
DÉSACTIVATION DE LA TECHNOLOGIE AVC.....	21
FAILSAFE (LES POSITIONS DE SÉCURITÉ INTÉGRÉE).....	21
PRÉCAUTIONS DE PILOTAGE.....	21
MISE SOUS TENSION DU VÉHICULE.....	21
AVANT DE FAIRE ROULER VOTRE VÉHICULE.....	21
SENSIBILITÉ DE L'AVC.....	21
AUTONOMIE.....	22
POUR AMÉLIORER L'AUTONOMIE.....	22
TEST DE DIRECTION.....	22
MODIFICATION DES VALEURS DES COURSES.....	22

ESC SANS BALAIS 130 A SMART SPEKTRUM FIRMA (SPMXSE1130).....	22
SPÉCIFICATIONS.....	22
ÉTAT DES DEL DU VARIATEUR ESC.....	22
AVERTISSEMENTS SONORES.....	22
PROCÉDURE DE CALIBRATION DU VARIATEUR ESC.....	22
FONCTIONS ET MODES DU VARIATEUR ESC.....	23
TABLEAU DE PROGRAMMATION.....	23
PROCÉDURE DE PROGRAMMATION DU VARIATEUR ESC.....	23
DESCRIPTION.....	23
SPEKTRUM FIRMA 3150KV BRUSHLESS MOTOR.....	24
PRÉCAUTIONS.....	24
TRANSMISSION.....	24
CHANGEMENT DU PIGNON ET DU RAPPORT DE TRANSMISSION.....	24
RÉGLAGE DE L'ENTRE-DENTS.....	24
PARAMÈTRES DE TÉLÉMÉTRIE.....	24
GUIDE DE DÉPANNAGE.....	24
GARANTIE ET RÉPARATIONS.....	24
COORDONNÉES DE GARANTIE ET RÉPARATIONS.....	25
INFORMATION DE IC.....	25
INFORMATIONS DE CONFORMITÉ POUR L'UNION EUROPÉENNE.....	25
LISTE DES PIÈCES DE RECHANGE.....	34
PIÈCES RECOMMANDÉES.....	35
PIÈCES OPTIONNELLES.....	35
VUE ÉCLATÉE DES PIÈCES.....	36

## CONTENU DE LA BOITE



## PIÈCES

- Loσι TENACITY DB PRO RTR, AVC : Buggy du désert à 4 roues motrices d'échelle 1/10 (LOS03027V2T1/T2)
- Émetteur Spektrum DX3 2,4 GHz (SPM2340)
- Récepteur de surface Spektrum™ 6 canaux DSMR® AVC (SPMSR6200A)
- Servo étanche à engrenage en acier 15 KG 23T Spektrum (SPMS614S)
- ESC sans balais 130 A SMART Spektrum Firma (SPMXSE1130)
- Moteur sans balais 3150 Kv Spektrum Firma (SPMXSM1000)
- 4 batteries AA (pour l'émetteur)

## VÉHICULE RÉSISTANT À L'EAU ET ÉQUIPÉ D'UNE ÉLECTRONIQUE ÉTANCHE

Votre nouveau véhicule Horizon Hobby a été conçu et fabriqué en combinant des composants étanches et des composants résistants à l'eau vous permettant d'utiliser ce produit dans plusieurs "Conditions Humides" incluant les flaques d'eau, les ruisseaux, l'herbe humide, la neige et même la pluie.

Bien que le véhicule possède une grande résistance vis-à-vis de l'eau, il n'est pas entièrement étanche et votre véhicule ne doit PAS être utilisé comme un sous-marin. Les différents composants électroniques installés sur le véhicule, comme le contrôleur de vitesse électronique (ESC), le ou les servo(s) et le récepteur sont étanches, cependant la plupart des composants mécaniques résistent aux projections d'eau mais ne doivent pas être immergés.

Les pièces métalliques comme les roulements, les axes de suspension, les vis et les écrous ainsi que les contacts des prises des câbles électriques sont exposés à l'oxydation si vous n'effectuez un entretien supplémentaire après avoir utilisé le produit dans des conditions humides. Pour conserver à long terme les performances de votre véhicule et conserver la garantie, les procédures décrites dans la section « Maintenance en conditions humides » doivent être régulièrement effectuées si vous roulez dans des conditions humides. Si vous ne souhaitez pas effectuer la maintenance supplémentaire requise, vous ne devez pas utiliser le véhicule dans ces conditions.



**ATTENTION :** un défaut de soin durant l'utilisation et un non-respect des consignes suivantes peut entraîner un dysfonctionnement du produit et/ou annuler la garantie.

### PRÉCAUTIONS GÉNÉRALES

- Lisez avec attention les procédures de maintenance en conditions humides et vérifiez que vous possédez tous les outils nécessaires pour effectuer la maintenance du véhicule.
- Toutes les batteries ne peuvent être utilisées en conditions humides. Consultez la documentation du fabricant de votre batterie avant utilisation. Des précautions doivent être appliquées quand vous utilisez des batteries Li-Po en conditions humides.
- La majorité des émetteurs ne résistent pas aux projections d'eau. Consultez le manuel ou le fabricant de votre émetteur avant utilisation.
- N'utilisez jamais votre émetteur ou votre véhicule sous un orage.
- N'utilisez JAMAIS votre véhicule où il pourrait entrer en contact avec de l'eau salée (Eau de mer ou flaque d'eau sur une route salée), ou de l'eau polluée ou contaminée.
- Une petite quantité d'eau peut réduire la durée de vie du moteur s'il n'est pas certifié étanche ou résistant aux projections d'eau. Si le moteur devient excessivement humide, appliquez légèrement les gaz pour évacuer le maximum d'eau du moteur. Faire tourner à un régime élevé un moteur humide causerait son endommagement rapide.

## DÉMARRAGE RAPIDE

Veuillez entièrement lire le manuel pour comprendre le fonctionnement, les réglages et la maintenance de votre TENACITY RTR.

1. Lisez les consignes de sécurité présentes dans ce manuel.
2. Chargez une batterie pour votre véhicule. Référez-vous aux instructions et aux consignes de sécurité relatives à la charge de la batterie.
3. Installez les piles AA dans l'émetteur. Utilisez uniquement des piles alcalines ou des batteries rechargeables.
4. Installez la batterie entièrement chargée dans le véhicule.
5. Mettez en premier l'émetteur sous tension, puis le véhicule. Attendez 5 secondes pour l'ESC pour initialiser. Mettez toujours l'émetteur sous tension en premier et éteignez-le toujours en dernier.
6. Contrôlez la direction et les gaz. Vérifiez qu'ils agissent dans la bonne direction.
7. Pilotez votre véhicule.
8. Effectuez la maintenance requise.

## CHARGE DE LA BATTERIE

Choisissez une batterie conçue pour fonctionner avec l'ESC sans balais 130 A Spektrum Firma SMART (SPMXSE1130). Nous recommandons la batterie dans un coffret LiPo SMART 50C 7,4 V 2S 5000 mAh Spektrum avec le connecteur IC5 (SPMX50002S50H5) ou la batterie dans un coffret IC5 LiPo SMART 50C 11,1 V 3S 5000 mAh Spektrum avec le connecteur IC5 (SPMX50003S50H5). Choisissez un chargeur conçu pour charger les batteries Li-Po 2S et/ou 3S.

- L'utilisation en conditions humides peut réduire la durée de vie du moteur. La résistance de l'eau cause des efforts plus importants. Adaptez le rapport de transmission en utilisant un pignon plus petit ou une couronne plus grande. Cela augmentera le couple (et la durée de vie du moteur) quand vous roulez dans la boue, dans les flaques profondes ou n'importe quelle autre condition humide, cela augmente la charge appliquée au moteur.

### MAINTENANCE EN CONDITIONS HUMIDES

- Evacuez l'eau collectée par les pneus en les faisant tourner à haute vitesse. Retirez la carrosserie, retournez le véhicule et donnez des courts coups d'accélérateur plein gaz jusqu'à ce que l'eau soit retirée.



**ATTENTION :** Tenez toujours éloigné des parties en rotation, les mains, les doigts, les outils ou autre objet lâches/pendants.

- Retirez la batterie et séchez ses contacts. Si vous possédez un compresseur d'air ou une bombe d'air compressé, chassez toute l'humidité qui se trouve dans la prise.
- Retirez les roues du véhicule et rincez-les à l'aide d'un arrosoir pour retirer la boue et la poussière. Evitez de rincer les roulements et la transmission.

**REMARQUE :** N'utilisez jamais un nettoyeur haute-pression pour nettoyer le véhicule.

- Utilisez un compresseur d'air ou une bombe d'air compressée pour sécher le véhicule et vous aider à retirer l'eau logée dans les renforcements et les recoins.
- Vaporisez du lubrifiant ou de l'anti-humidité sur les roulements, les vis ou autres pièces métalliques. Ne pas en vaporiser sur le moteur.
- Laissez le véhicule sécher avant de le stocker. L'eau (et l'huile) peuvent continuer à s'écouler durant quelques heures.
- Augmentez la fréquence d'inspection, de démontage et de lubrification des éléments suivants:
  - Les axes de roues et roulements des fusées avant et arrière.
  - Tous les boîtiers de transmissions, pignons et différentiels.
  - Le Moteur—nettoyez-le à l'aide d'un aérosol de nettoyant moteur et lubrifiez les paliers à l'aide de lubrifiant pour roulements.

Nous recommandons le chargeur/déchargeur Dynamite Passport P1 mini-entrée c.a. avec équilibrage (DYNC3015). Consultez vos manuels de batterie et de chargeur pour des informations sur leur utilisation, la sécurité et le chargement.

**IMPORTANT :** lorsque vous utilisez une batterie 3S, vous devez remplacer le pignon du moteur par le pignon 15T fourni avec votre véhicule.

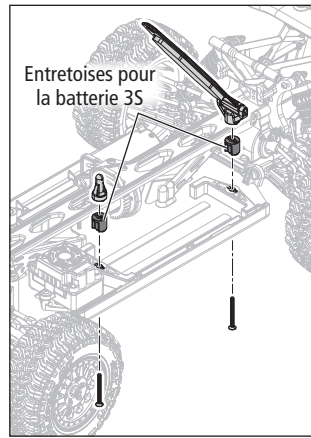


## INSTALLER LA BATTERIE

1. Assurez-vous que le variateur ESC est éteint.
2. Retirez les clips de carrosserie et soulevez la carrosserie.
3. Enlevez le clip de carrosserie du dispositif qui maintient la batterie en place et ouvrez le support de la batterie.
4. Insérez la batterie dans son support.
5. Abaissez la sangle de la batterie et insérez le clip de carrosserie pour maintenir la batterie en place.

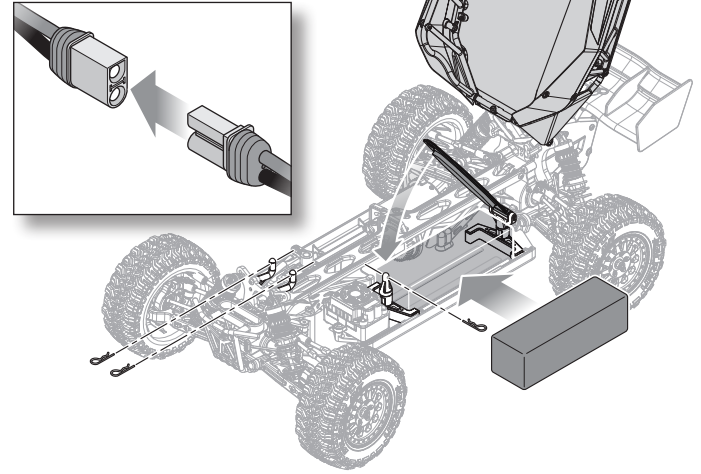
Le véhicule est paramétré en usine pour être utilisé avec une batterie LiPo 2S. Pour pouvoir installer une batterie LiPo 3S en option, les entretoises incluses doivent être installées dans le support de la batterie comme illustré.

**REMARQUE :** si vous utilisez une batterie 2S Li-Po, utilisez le pignon 17T inclus. si vous utilisez une batterie 3S Li-Po, utilisez le pignon 15T en option (inclus). L'utilisation d'un pignon 17T avec une batterie Li-Po 3S endommagera l'ESC et le moteur.

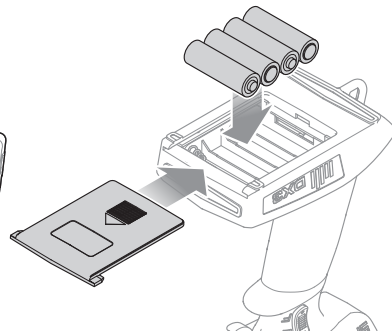
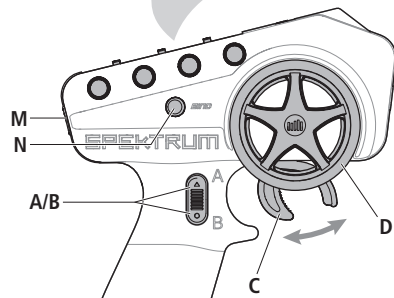
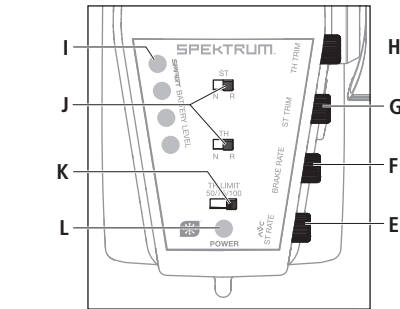


6. Raccordez le fil d'alimentation de la batterie au variateur ESC en respectant bien la polarité.
7. Allumez l'émetteur, puis le véhicule.
8. Remettez la carrosserie en place et insérez les clips de carrosserie.

**IMPORTANT :** fixez les fils de l'ESC afin qu'ils ne gênent pas l'engrenage.



## ÉMETTEUR SPEKTRUM DX3



### A/B. Bouton du canal 3

### C. Gaz/Frein

### D. Volant

### E. Steering Rate (taux de direction) - Ajuste le point d'extrémité de la direction

### F. Brake Rate (taux de freinage) - Ajuste le point d'extrémité du freinage.

### G. Steering Trim (compensateur de direction) - Ajuste le point central de direction. En général, le compensateur de direction est ajusté jusqu'à ce que le véhicule aille droit.

### H. Throttle Trim (compensateur des gaz) - Ajuste le point neutre des gaz

### I. Indicateur du niveau de la batterie SMART

### J. Inversion du servo - Pour inverser le canal des gaz (TH) ou de la direction (ST), faites basculer la position du commutateur correspondant : « N » est pour normal, « R » est pour inversé.

### K. Throttle Limit (limite des gaz) - Limite la sortie des gaz à 50/75/100 % Sélectionnez 50 % ou 75 % pour les pilotes moins expérimentés ou lorsque vous pilotez le véhicule dans une petite zone.

### L. DEL d'alimentation

- **Témoins en rouge fixe :** indique la connectivité radio et une alimentation de batterie appropriée
- **Témoins clignotant en rouge :** indique que la tension de la batterie est à un niveau extrêmement bas. Remplacez les batteries

### M. Bouton d'alimentation

### N. Bouton Bind (affectation)

## INSTALLATION DES PILES DE L'ÉMETTEUR

Cet émetteur nécessite 4 piles AA.

1. Retirez le couvercle du compartiment à piles.
2. Insérez les piles comme sur l'illustration.
3. Remplacez le couvercle.

**ATTENTION :** Ne retirez jamais les piles de l'émetteur lorsque le modèle est sous tension. Une perte de contrôle du modèle, des dommages ou des blessures peuvent survenir.

**ATTENTION :** Si vous utilisez des piles rechargeables, chargez seulement des piles rechargeables. La charge de piles non rechargeables peut causer un incendie, entraînant des blessures corporelles et/ou des dégâts matériels.

**ATTENTION :** Risque d'explosion si la batterie est remplacée par un type de batterie non conforme. Éliminer les piles usagées selon les réglementations nationales.

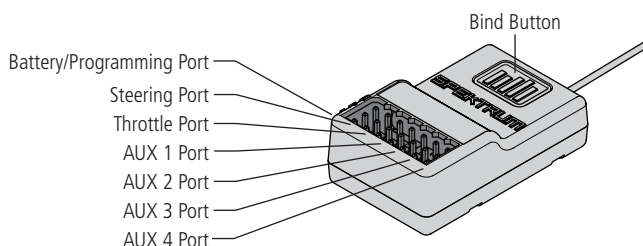
## RÉCEPTEUR SR6200A AVEC TECHNOLOGIE AVC

### VOIES AUXILIAIRES

Les voies auxiliaires peuvent servir à commander un servo additionnel, ou d'alimentation pour une puce de comptage.

Si l'AVC est activé, seules 4 voies (direction, gaz, AUX3 et AUX4) sont opérationnelles. Les voies Aux restantes peuvent être utilisées pour alimenter une puce de comptage ou des éclairages.

Si l'AVC est désactivé (Voir la section DESACTIVATION DE LA FONCTION DE STABILISATION pour désactiver l'AVC), les voies auxiliaires pourront commander des servos.



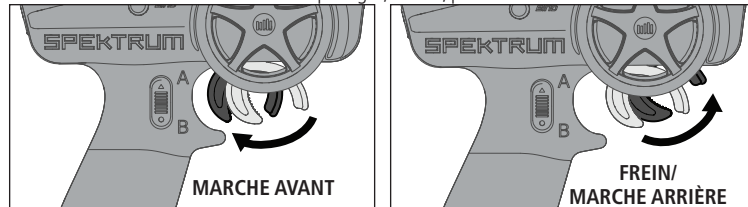
## AFFECTATION ET CALIBRATION DU RÉCEPTEUR

L'affectation est le processus consistant à lier le récepteur SR6200A à votre émetteur Spektrum. L'AVC du récepteur peut être activé ou désactivé lors du processus d'affectation.

**IMPORTANT:** Vous devez calibrer le récepteur chaque fois qu'il est en mode affectation.

Lors de la configuration initiale après la première affectation, le modèle doit être configuré pour le sens du servo, le compensateur et la course. Ensuite, le récepteur doit être à nouveau affecté et étalonné selon ces paramètres pour assurer le bon fonctionnement. Alignez le compensateur de direction et le compensateur des gaz à l'émetteur avant de commencer.

1. Appuyez sur le bouton d'affectation et maintenez-le enfoncé sur le récepteur.
2. Mettez le récepteur en marche. La DEL orange clignote, indiquant que le récepteur est en mode d'affectation. Relâchez le bouton d'affectation lorsque la DEL orange s'allume.
3. Mettez votre émetteur en mode d'affectation. Le processus d'affectation est terminé lorsque la DEL orange du récepteur se fixe. À ce stade, le récepteur est connecté, mais l'étalonnage doit être réalisé avant de fonctionner.
4. Tirez le déclencheur de l'émetteur sur plein gaz, arrêtez, puis remettez le déclencheur au centre.



5. Poussez le déclencheur de l'émetteur sur plein frein, arrêtez, puis remettez le déclencheur au centre.
6. Tournez le volant de l'émetteur entièrement à droite, arrêtez, puis remettez le volant au centre.
7. Tournez le volant de l'émetteur entièrement à gauche, arrêtez, puis remettez le volant au centre. La DEL orange clignote pour confirmer que les paramètres ont été acceptés.
8. Éteignez le véhicule pour terminer le processus d'affectation et d'étalonnage.

**ATTENTION :** Une fois le processus d'affectation terminé, les canaux des gaz et de direction sont actifs. Maintenez vos mains et les objets amples éloignés des pièces rotatives sur le véhicule.

**IMPORTANT:** Vous devez de nouveau affecter votre récepteur et l'émetteur si:

- Changez l'inversion du servo après l'affectation
- Changez la course après l'affectation
- Changez le sens de montage du récepteur

### DÉSACTIVATION DE LA TECHNOLOGIE AVC

Si vous participez à une course organisée, vous devrez peut-être désactiver la technologie AVC. Il est possible de désactiver l'AVC lors de l'affectation.

1. Branchez le récepteur à l'alimentation et appuyez rapidement puis relâchez le bouton d'affectation trois fois (en 1,5 secondes).
2. Appuyez sur et maintenez le bouton d'affectation enfoncé pour mettre le récepteur en mode d'affectation. Relâchez le bouton lorsque la DEL commence à clignoter rapidement, indiquant qu'il est en mode d'affectation.

Une fois le système AVC désactivé, la DEL sur le récepteur affiche trois clignotements lors de l'allumage, puis reste allumée. Le récepteur est affecté et fonctionne normalement lorsque la DEL reste allumée.

**CONSEIL :** La fonction AVC dans le récepteur est active et le menu AVC de l'émetteur est inhibé. Les fonctions AVC sont par défaut en fonctionnement AUX 1 et AUX 2. Dans ce cas, l'AVC ne fonctionne pas correctement.

### FAILSAFE (LES POSITIONS DE SÉCURITÉ INTÉGRÉES)

Dans l'hypothèse peu probable d'une perte de liaison radio durant l'utilisation, le récepteur ramènera la voie des gaz au neutre. Si le récepteur est mis sous tension avant l'émetteur, le récepteur entrera en mode Failsafe, la voie des gaz se mettra au neutre. Quand l'émetteur sera mis sous tension, les commandes reprendront leur fonctionnement normal.

**IMPORTANT:** le Failsafe s'active uniquement en cas de perte du signal de l'émetteur. Le Failsafe n'est PAS activé si la charge de la batterie du récepteur est faible ou en cas de perte de puissance du récepteur.

## PRÉCAUTIONS DE PILOTAGE

- Regardez toujours le modèle.
- Inspectez régulièrement le serrage des roues du véhicule.
- Inspectez régulièrement les éléments de la direction, le serrage des vis. Une conduite en tout-terrain peut causer le desserrage des fixations.
- Ne pilotez pas le véhicule dans de l'herbe haute. Vous risqueriez d'endommager le véhicule ou l'électronique.
- Stoppez la conduite du véhicule quand vous sentez une baisse de la puissance. Conduire le véhicule avec une batterie déchargée peut entraîner la mise hors tension du récepteur. Si le récepteur n'est plus alimenté, vous perdrez le contrôle de votre véhicule. Les dommages causés par une batterie Li-Po déchargée ne sont pas couverts par la garantie.

**ATTENTION :** Ne déchargez pas une batterie Li-Po en dessous de 3V par élément. Les batteries qui sont déchargées en dessous de la tension minimale approuvée seront endommagées, résultant en une perte de performances et un risque potentiel d'incendie lors de la charge suivante.

- N'appliquez pas la marche avant ou arrière si le véhicule est bloqué. Vous risqueriez d'endommager le moteur ou le contrôleur.
- Après avoir piloté le véhicule, laissez l'électronique refroidir avant de piloter une nouvelle fois.

**IMPORTANT:** Maintenez les câbles à l'écart des pièces en mouvement.

## AVANT DE FAIRE ROULER VOTRE VÉHICULE

1. Contrôlez le libre mouvement de la suspension. Tous les bras de suspension ainsi que les composants de direction doivent pivoter librement.

**CONSEIL:** Pour augmenter la hauteur de caisse et la garde au sol de votre véhicule, installez les entretoises d'amortisseurs fournies.

2. Chargez la batterie. Chargez toujours la batterie en respectant les consignes données par le fabricant de la batterie et du chargeur.
3. Ajustez sur l'émetteur le trim de la direction. Suivez les instructions pour régler le trim/sub-trim de façon que le véhicule roule droit quand le volant n'est pas actionné.
4. Effectuez un test de direction.

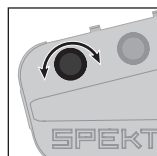
## MISE SOUS TENSION DU VÉHICULE

1. Placez les potentiomètres ST TRIM et TH TRIM de l'émetteur au neutre.
2. Mettez l'émetteur sous tension.
3. Connectez une batterie entièrement chargée au contrôleur.
4. Mettez le contrôleur sous tension.

**IMPORTANT:** Le véhicule DOIT rester immobile sur surface plane et de niveau pendant au moins 5 secondes.

## SENSIBILITÉ DE L'AVC

Le potentiomètre ST RATE permet de régler la sensibilité ou la valeur de stabilité du récepteur. Si vous augmentez la sensibilité, le système AVC deviendra plus sensible aux glissades vers la gauche et la droite du véhicule. Vous devrez utiliser la sensibilité maximale lors de conduite à haute vitesse ou pour effectuer des courses d'accélération en ligne droite. Plus la sensibilité est élevée, plus le débattement de la direction est faible.



Faites tourner le potentiomètre ST RATE dans le sens anti-horaire pour réduire la sensibilité.

Faites tourner le potentiomètre ST RATE dans le sens horaire pour augmenter la sensibilité.

**IMPORTANT:** Le potentiomètre ST RATE ajustera uniquement la sensibilité quand l'émetteur est affecté à un récepteur DSMR. Quand l'émetteur est affecté à un récepteur DSM, DSM2 ou DSM marine, le potentiomètre ST RATE contrôle la valeur du débattement de la direction.

## AUTONOMIE

Le facteur le plus influant sur l'autonomie est la capacité de la batterie. Une capacité supérieure augmentera l'autonomie.

L'état de la batterie est aussi un facteur très important pour l'autonomie et la vitesse. Les prises de la batterie peuvent chauffer durant l'utilisation. Les batteries perdent en performances et capacité au fil du temps.

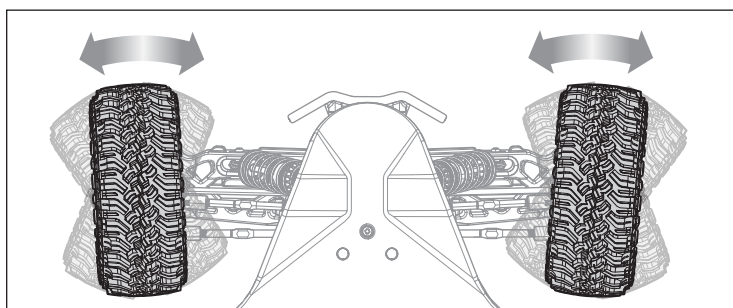
Passer le véhicule de l'arrêt à pleine vitesse de façon répétée finira par endommager la batterie et l'électronique. Les accélérations brutales réduisent l'autonomie.

### POUR AMÉLIORER L'AUTONOMIE

- Ayez toujours un véhicule entretenu et propre.
- Optimisez le refroidissement du contrôleur et du moteur.
- Changez votre rapport de transmission pour une réduction plus importante. Une réduction plus importante diminuera la température de fonctionnement de l'électronique. Utilisez un pignon plus petit ou une couronne plus grande pour obtenir une réduction plus importante.
- Utilisez une batterie avec une capacité plus élevée.
- Utilisez le chargeur optimum pour effectuer la recharge des batteries (Consultez votre revendeur local pour des informations complémentaires).

## TEST DE DIRECTION

Effectuez un test des commandes en plaçant les roues du véhicule hors du sol. Si les roues se mettent à tourner après la mise sous tension du véhicule, ajustez le potentiomètre TH Trim jusqu'à obtenir l'arrêt de la rotation des roues. Pressez la gâchette pour faire tourner les roues en avant. Pour inverser leur rotation, attendez que leur rotation s'arrête, puis poussez la gâchette. Quand les roues tournent en marche avant, elle doivent rester parfaitement droites sans devoir corriger l'angle à l'aide du volant. Si ce n'est pas le cas, ajustez le trim ST Trim pour obtenir un trajectoire rectiligne sans agir sur le volant.



## MODIFICATION DES VALEURS DES COURSES

Réglez les valeurs des courses avec les quatre roues du véhicule hors sol. Le réglage des fins de course gaz et frein entrainera la rotation des roues à plein gaz. Demandez à un assistant de bien tenir le véhicule lors de ces réglages.



**ATTENTION:** Tenez toujours vos mains, vos doigts, les outils ou autre objet lâche/pendant éloignés des parties en rotation, en particulier les roues, lorsque vous réglez les fins de course. Le non-respect de cette consigne peut entraîner des blessures.

1. Maintenez la gâchette en position frein maximum et braquez les roues à droite à l'aide du volant de direction tout en mettant l'émetteur sous tension. La DEL va clignoter rapidement indiquant que le mode programmation est activé.
2. Fin de course des gaz : Maintenez la gâchette en position plein gaz. Faites tourner le potentiomètre TH TRIM pour régler la fin de course des gaz.
3. Fin de course du frein : Maintenez la gâchette en position frein maximum. Faites tourner le potentiomètre TH TRIM pour régler la fin de course du frein. Relâchez la gâchette pour la remettre au neutre.
4. Fin de course de la direction vers la gauche : Maintenez le volant en position complètement à gauche. Faites tourner le potentiomètre ST TRIM pour régler la fin de course de la direction vers la gauche.
5. Fin de course de la direction vers la droite : Maintenez le volant en position complètement à droite. Faites tourner le potentiomètre ST TRIM pour régler la fin de course de la direction vers la droite. Relâchez le volant pour le remettre au neutre.
6. Mettez l'émetteur hors tension pour enregistrer les paramètres. La valeur minimale de la course est de 75% et la valeur maximale est de 150%.

**IMPORTANT:** Si la course est modifiée sur la DX3, vous devrez réaffecter et recalibrer le SR6200A.

## ESC SANS BALAIS 130 A SMART SPEKTRUM FIRMA (SPMXSE1130)

### SPÉCIFICATIONS

Type	Sans capteur, compatible accélérateur SMART
Sortie	130A/760A
Fonction	Avant/Freinage–Avant/Freinage Arrière
Tension d'entrée	7,4 V–14,8 V (Le moteur dans ce véhicule n'est pas compatible avec 14,8 V)
Sortie BEC	6 V/4 A
Dimensions (L x l x H)	57,5mm x 46mm x 38mm
Poids	154 g

### ÉTAT DES DEL DU VARIATEUR ESC

- Aucune DEL de l'ESC n'est allumée en l'absence d'entrée d'accélération provenant de l'émetteur.
- La DEL rouge de l'ESC est allumée en présence d'entrée d'accélération provenant de l'émetteur.

### AVERTISSEMENTS SONORES

1. **Tension d'entrée :** l'ESC vérifie la tension d'entrée à l'allumage. En cas de détection d'un problème concernant la tension, l'ESC émet continuellement 2 bips avec une pause d'1 seconde (xx-xx-xx). Éteignez l'ESC et assurez-vous que les connexions sont correctes et que l'alimentation de la batterie n'est pas trop faible pour un fonctionnement en toute sécurité.
2. **Connexion radio :** l'ESC vérifie l'entrée du signal radio à l'allumage. En cas de détection d'un problème, l'ESC émet continuellement 1 bip avec une pause de 2 secondes (x--x--x). Éteignez l'ESC et assurez-vous que le système radio fonctionne correctement.

**REMARQUE :** débranchez toujours la batterie du variateur ESC lorsque vous avez terminé d'utiliser votre véhicule. Le commutateur du variateur ESC contrôle uniquement l'alimentation au récepteur et aux servos. Le variateur ESC continuera à appeler le courant lorsqu'il est branché à la batterie, pouvant provoquer des dommages potentiels à la batterie à travers la décharge.

### PROCÉDURE DE CALIBRATION DU VARIATEUR ESC

Suivez la procédure d'affectation de l'émetteur/récepteur avant d'étalonner l'ESC.

1. Réglez le canal d'accélération de l'émetteur sur course à 100 % et centrez le compensateur de l'accélération.
2. Raccordez une batterie au câble de batterie de l'ESC.
3. Mettez l'émetteur en marche.
4. Maintenez enfoncé le bouton SET (configurer) tout en allumant l'ESC. Relâchez le bouton SET lorsque la DEL **rouge** commence à clignoter pour indiquer que l'ESC est en mode étalonnage. L'ESC entre en mode programmation si le bouton est maintenu enfoncé pendant plus de trois secondes.

**CONSEIL :** la DEL rouge doit être en train de clignoter lorsque l'ESC entre en mode étalonnage. Si la DEL verte clignote, l'ESC est entré en mode programmation. Éteignez l'ESC et répétez l'étape 4, en relâchant le bouton SET (configurer) lorsque la DEL rouge commence à clignoter.

5. Avec la commande d'accélérateur de l'émetteur sur la position neutre, enfoncez et relâchez le bouton ESC SET (configurer l'ESC). La DEL rouge cesse de clignoter, la DEL verte clignote une fois et le moteur émet un son pour indiquer que la position neutre a été acceptée.
6. Tout en maintenant la commande d'accélérateur sur la position accélération maximale, enfoncez et relâchez le bouton ESC SET (configurer l'ESC). Le DEL verte clignote deux fois et le moteur émet deux sons pour indiquer que la position accélération maximale a été acceptée.
7. Tout en maintenant la commande d'accélérateur sur la position freinage à fond, enfoncez et relâchez le bouton SET (configurer). Le DEL verte clignote trois fois et le moteur émet trois sons pour indiquer que la position freinage à fond a été acceptée.

Le moteur fonctionne normalement une fois l'étalonnage terminé.



## FONCTIONS ET MODES DU VARIATEUR ESC

Le variateur ESC comprend des options de programmation pour que vous puissiez ajuster la manière dont votre véhicule fonctionne. Référez-vous au tableau de programmation inclus pour régler l'ESC en fonction de vos conditions de conduite.

### TABLEAU DE PROGRAMMATION

■ Paramètres par défaut

ÉLÉMENTS DE PROGRAMMATION	VALEUR DE PROGRAMMATION								
	1	2	3	4	5	6	7	8	9
<b>1. Mode de fonctionnement</b>	Avant avec frein	Avant/Arrière avec frein	Avant/Arrière						
<b>2. Force de freinage par résistance</b>	0 %	5 %	10 %	20 %	40 %	60 %	80 %	100 %	
<b>3. Coupure par tension faible</b>	non-protection	2,6 V/Cellule	2,8 V/Cellule	3,0 V/Cellule	3,2 V/Cellule	3,4 V/Cellule			
<b>4. Mode de démarrage</b>	Niveau 1	Niveau 2	Niveau 3	Niveau 4	Niveau 5	Niveau 6	Niveau 7	Niveau 8	Niveau 9
<b>5. Force de freinage maximum</b>	25 %	50 %	75 %	100 %	désactiver				
<b>6. Force de recul maximum</b>	25 %	50 %	75 %	100 %					
<b>7. Force de freinage initial</b>	= freinage par résistance	0 %	20 %	40 %					
<b>8. Plage neutre</b>	6 % (étroite)	9 % (normale)	12 % (large)						
<b>9. Minuterie</b>	0,00°	3,75°	7,50°	11,25°	15,00°	18,75°	22,50°	26,25°	
<b>10. Rotation du moteur</b>	Sens contraire des aiguilles d'une montre	Sens des aiguilles d'une montre							
<b>11. Cellules Li-Po</b>	Calcul automatique	2 cellules	3 cellules	4 cellules	5 cellules	6 cellules			

### PROCÉDURE DE PROGRAMMATION DU VARIATEUR ESC

La programmation s'effectue en appuyant sur le bouton SET (configurer) sur le commutateur ON/OFF (marche/arrêt)\*.

1. Connectez une batterie complètement chargée au variateur ESC.
2. Mettez l'émetteur en marche.
3. Allumez le variateur ESC.
4. Maintenez enfoncé le bouton SET (configurer) jusqu'à ce que la DEL verte clignote.  
Relâchez le bouton de configuration pour entrer dans le mode programmation.

**CONSEIL :** pour réinitialiser tous les éléments de programmation sur les valeurs par défaut, maintenez enfoncé le bouton de configuration pendant cinq secondes

5. Enfoncez et relâchez le bouton de configuration au besoin pour parcourir les éléments de programmation. Le nombre de clignotements de la DEL verte correspond au numéro d'élément de programmation indiqué dans le tableau de programmation.
6. Quand vous avez atteint l'élément de programmation souhaité, maintenez enfoncé le bouton de configuration jusqu'à ce que la DEL rouge clignote pour sélectionner l'élément.
7. Enfoncez et relâchez le bouton SET (configurer) pour parcourir les valeurs disponibles correspondant à l'élément de programmation en vous basant sur le nombre de clignotements de la DEL. Veuillez vous référer au tableau de programmation.
8. Enregistrez la configuration en maintenant enfoncé le bouton SET (configurer) pendant 3 secondes.
9. Éteignez l'ESC pour sortir du mode programmation ou pour modifier d'autres éléments de programmation.

\* Parmi d'autres options de programmation, il existe la boîte de programmation d'ESC Spektrum SMART Firma (SPMXCA200) et l'application de programmation et de mise à jour USB SmartLink. Consultez SpektrumRC.com pour plus de détails sur les ESC Spektrum SMART Firma.

### DESCRIPTION

#### 1. Mode de fonctionnement

- *Marche avant avec frein*

Utilisé en compétition, ce mode ne permet que la marche avant et le frein.

- *Marche avant/arrière avec frein*

Ce mode est le plus utilisé, il permet la marche avant, la marche arrière et le contrôle des freins. Pour enclencher la marche arrière quand vous roulez en avant, appliquez le frein jusqu'à l'arrêt complet du véhicule, relâchez le frein, puis freinez de nouveau, le véhicule va reculer. Quand vous reculez ou que vous freinez, si vous appliquez de l'accélérateur, la marche avant passe instantanément.

#### 2. Puissance du frein moteur

Permet de régler la puissance du frein qui s'applique automatiquement quand la commande retourne au neutre. Cela simule l'effet du frein moteur des véhicules grandeur, en améliorant le comportement dans les courbes et la réponse générale du véhicule.

#### 3. Coupure basse tension

Cette fonction évite les décharges trop importantes de la batterie. Le contrôleur surveille en continu la tension de la batterie. Si la tension descend durant 2 secondes en dessous de la valeur programmée, l'alimentation du moteur est coupée et la DEL rouge clignote deux fois de manière répétée.

Le calcul du seuil de la coupure est basé sur la tension individuelle de chaque élément Li-Po. Concernant les batteries Ni-MH, si la tension de la batterie est supérieure à 9V, elle sera considérée comme une batterie Li-Po 3S, si la tension de la batterie est inférieure à 9V, elle sera considérée comme une batterie Li-Po 2S. Par exemple, une batterie Ni-MH de 8V utilisée avec un seuil de coupure à 2.6V par élément, sera considérée comme une batterie Li-Po 2S et la tension de coupure sera à 5.2V (2.6x2=5.2V). En utilisant la boîte de programmation digitale optionnelle (DYN3748), vous pourrez régler le seuil de coupure.

#### 4. Mode de démarrage

Réglage de l'accélération initiale. Le niveau 1 offre un démarrage très doux et le niveau 4 offre un démarrage très musclé.

#### 5. Puissance maximale du frein

Réglage de la puissance maximale du frein. Une valeur plus élevée provoque un freinage plus puissant, mais cela peut causer le blocage des roues, entraînant une perte de contrôle du véhicule.

#### 6. Puissance maximale de la marche arrière

Réglage de la puissance maximale de la marche arrière.

#### 7. Puissance de frein initiale (frein minimum)

Réglage de la valeur minimum de force de freinage quand les freins s'enclenchent. La valeur par défaut est égale à la puissance du frein moteur. Une valeur supérieure peut entraîner un blocage des roues causant une perte de contrôle du véhicule.

#### 8. Zone de neutre

Réglage de la sensibilité de la voie des gaz autour du neutre. Plus la valeur est élevée, plus le manche ou la gâchette devra être déplacé pour que le véhicule se déplace en marche, arrière ou frein.

#### 9. Avance

Réglage de l'avance du moteur. Une avance élevée offre des performances supérieures, mais diminue l'autonomie et peut endommager le moteur et le contrôleur à cause d'une surcharge ou d'une surchauffe.

**REMARQUE:** Contrôlez toujours que l'avance est correctement paramétrée. Un mauvais réglage de l'avance peut entraîner l'endommagement du moteur et du contrôleur. Consultez la documentation du fabricant de votre moteur pour l'avance recommandée.

#### 10. Type de moteur

#### 11. Sens de rotation

Cela permet de changer le sens de rotation du moteur sans inverser le branchement des câbles du moteur.

#### 12. Nombre d'éléments Li-Po

Permet au contrôleur de détecter automatiquement ou de choisir manuellement le nombre d'éléments de votre batterie Li-Po.

# SPEKTRUM™ FIRMA™ 3150KV BRUSHLESS MOTOR

## PRÉCAUTIONS

- Ne touchez jamais les parties en mouvement.
- Ne démontez jamais le moteur quand la batterie est installée.
- Laissez toujours refroidir avant de manipuler.

## TRANSMISSION

Votre véhicule est équipé du rapport de transmission idéal pour une utilisation en configuration d'origine. Il offre l'équilibre idéal entre la vitesse, la puissance et l'autonomie. Si vous décidez de modifier votre véhicule en utilisant des batteries ou des moteurs optionnels, il sera probablement nécessaire de changer le pignon ou la couronne.

L'installation d'un pignon comportant moins de dents ou d'une couronne comportant plus de dents entraînera une augmentation du couple mais réduira la vitesse de pointe. Naturellement, l'installation d'un pignon comportant plus de dents ou d'une couronne en comportant moins entraînera une réduction du couple mais augmentera la vitesse de pointe. Une attention particulière devra être appliquée quand vous installez des pignons comportant un nombre de dents supérieur, il y a un risque de "trop rallonger" la transmission, ce qui pourrait entraîner une surchauffe du contrôleur et du moteur. Quand vous essayez différents rapports de transmission, surveillez la température du moteur et du contrôleur pour être certain d'être dans la plage des températures de fonctionnement. Le moteur et le contrôleur ne doivent pas atteindre une température où il ne peuvent plus être touchés. Si les températures sont trop élevées, nous vous recommandons d'essayer d'autres rapports de transmission avec des pignons plus petits ou des couronnes plus grandes.

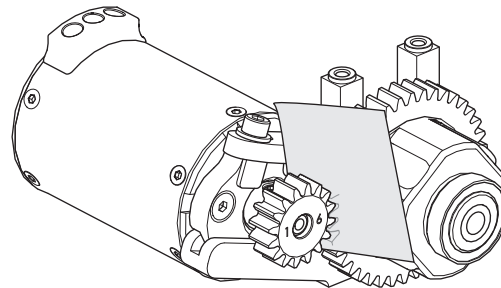
## CHANGEMENT DU PIGNON ET DU RAPPORT DE TRANSMISSION

1. Retirez la vis qui maintient le couvre-engrenage du pignon en place.
2. Desserrez la vis sans tête et retirez le pignon.
3. Dévissez les vis de fixation du moteur et glissez l'arrière du moteur.
4. Placez le nouveau pignon sur l'axe du moteur de façon que la vis sans tête appuie sur le méplat de l'axe.
5. Positionnez-le de façon à avoir les dents dans l'alignement de celles de la couronne et serrez la vis sans tête.
6. Effectuez le réglage de l'entre-dent.

## RÉGLAGE DE L'ENTRE-DENTS

Ce réglage est déjà effectué en usine, il est seulement nécessaire de l'effectuer quand vous changez de moteur ou de pignon.

Un réglage parfait de l'entre-dents (le point de contact des dents) de pignons est important pour les performances du véhicule. Si l'écart est trop important, la couronne risque d'être endommagée par le pignon du moteur. Si l'écart est trop faible, la vitesse sera limitée



et le moteur et le contrôleur vont surchauffer.

1. Dévissez les vis de fixation du moteur.
2. Glissez un petit morceau de papier entre le pignon et la couronne.
3. Rapprochez le pignon de la couronne en serrant les vis du moteur.
4. Retirez le morceau de papier, les pignons doivent avoir un léger jeu.
5. Installez le couvre-engrenage

**REMARQUE** : si vous utilisez une batterie 2S Li-Po, utilisez le pignon 17T inclus. si vous utilisez une batterie 3S Li-Po, utilisez le pignon 15T en option (inclus). L'utilisation d'un pignon 17T avec une batterie Li-Po 3S endommagera l'ESC et le moteur.

## PARAMÈTRES DE TÉLÉMÉTRIE

Si vous utilisez l'application tableau de bord Spektrum ou le module de compteur de vitesse en option sur votre émetteur, réglez le nombre de pôles du moteur sur 4 et la distance de déploiement sur 38,1 mm (1,5 po).

## GUIDE DE DÉPANNAGE

PROBLÈME	CAUSE POSSIBLE	SOLUTION
Le véhicule ne fonctionne pas	Batterie déchargée ou débranchée	Chargez la batterie ou branchez la
	L'interrupteur du contrôleur n'est pas en position "ON"	Mettez l'interrupteur sur "ON"
	L'émetteur n'est pas sous tension ou la batterie est faible	Mettez l'émetteur sous tension ou chargez la batterie
Le moteur tourne mais les roues ne sont pas entraînées	Le pignon n'entraîne pas la couronne	Réglez l'entre-dents
	Le pignon tourne sur l'axe moteur	Resserrez la vis du pignon sur le méplat de l'axe moteur
	Dents de pignons abîmées	Remplacez les pignons
	Goupille cassée	Contrôlez et remplacez la goupille
La direction ne fonctionne pas	Le servo n'est pas correctement branché	Vérifiez que la prise du servo est bien connectée à la voie de direction, et que la polarité est correcte
	Les pignons ou le moteur du servo sont endommagés	Remplacez ou réparez le servo
Ne tourne que dans une direction	Les pignons du servo sont endommagés	Remplacez ou réparez le servo
Le moteur ne fonctionne pas	Un câble du moteur est dessoudé	Ressoudez le câble à l'aide de matériel adapté.
	Un câble est endommagé	Réparez ou remplacez le câble
	Le contrôleur est endommagé	Contactez le service client Horizon Hobby
Le contrôleur chauffe	Le rapport de transmission n'est pas adapté	Utilisez un pignon plus petit ou une couronne plus grande
	Transmission non libre	Contrôlez la transmission afin de trouver la cause du blocage
Faible autonomie	La batterie n'est pas totalement chargée	Rechargez la batterie
	Le chargeur n'effectue pas la charge complète	Utilisez un autre chargeur
	Transmission non libre	Contrôlez la transmission afin de trouver la cause du blocage
Portée limitée	Batteries de l'émetteur trop faibles	Contrôlez et remplacez
	Batterie du véhicule trop faible	Rechargez la batterie
	Mauvais contacts	Contrôlez toutes les connexions

## GARANTIE ET RÉPARATIONS

### Durée de la garantie

Garantie exclusive – Horizon Hobby, LLC (Horizon) garantit que le Produit acheté (le « Produit ») sera exempt de défauts matériels et de fabrication à sa date d'achat par l'Acheteur. La durée de garantie correspond aux dispositions légales du pays dans lequel le produit a été acquis. La durée de garantie est de 6 mois et la durée d'obligation de garantie de 18 mois à l'expiration de la période de garantie.

### Limitations de la garantie

(a) La garantie est donnée à l'acheteur initial (« Acheteur ») et n'est pas transférable. Le recours de l'acheteur consiste en la réparation ou en l'échange dans le cadre de cette garantie. La garantie s'applique uniquement aux produits achetés chez un revendeur Horizon agréé. Les ventes faites à des tiers ne sont pas couvertes par cette garantie. Les revendications en garantie seront acceptées sur fourniture d'une preuve d'achat valide uniquement. Horizon se réserve le droit de modifier les dispositions de la présente garantie sans avis préalable et révoque alors les dispositions de garantie existantes.

(b) Horizon n'endosse aucune garantie quant à la vendabilité du produit ou aux capacités et à la forme physique de l'utilisateur pour une utilisation donnée du produit. Il est de la seule responsabilité de l'acheteur de vérifier si le produit correspond à ses capacités et à l'utilisation prévue.

(c) Recours de l'acheteur – Il est de la seule discrétion d'Horizon de déterminer si un produit présentant un cas de garantie sera réparé ou échangé. Ce sont là les recours exclusifs de l'acheteur lorsqu'un défaut est constaté.

Horizon se réserve la possibilité de vérifier tous les éléments utilisés et susceptibles d'être intégrés dans le cas de garantie. La décision de réparer ou de remplacer le produit est du seul ressort d'Horizon. La garantie exclut les défauts esthétiques ou les défauts provoqués par des cas de force majeure, une manipulation incorrecte du produit, une utilisation incorrecte ou commerciale de ce dernier ou encore des modifications de quelque nature qu'elles soient. La garantie ne couvre pas les dégâts résultant d'un montage ou d'une manipulation erronés, d'accidents ou encore du fonctionnement ainsi que des tentatives d'entretien ou de réparation non effectuées par Horizon. Les retours effectués par le fait de l'acheteur directement à Horizon ou à l'une de ses représentations nationales requièrent une confirmation écrite.

### Limitation des dommages

Horizon ne saurait être tenu pour responsable de dommages conséquents directs ou indirects, de pertes de revenus ou de pertes commerciales, liés de quelque manière que ce soit au produit et ce, indépendamment du fait qu'un recours puisse être formulé en relation avec un contrat, la garantie ou l'obligation de garantie. Par ailleurs, Horizon n'acceptera pas de recours issus d'un cas de garantie lorsque ces recours dépassent la valeur unitaire du produit. Horizon n'exerce aucune influence sur le montage, l'utilisation ou la maintenance du produit ou sur d'éventuelles combinaisons de produits choisies par l'acheteur. Horizon ne prend en compte aucune garantie et n'accepte aucun recours pour les blessures ou les dommages pouvant en résulter. Horizon Hobby ne saurait être tenu responsable d'une utilisation ne respectant pas les lois, les règles ou réglementations en vigueur. En utilisant et en montant le produit, l'acheteur accepte sans restriction ni réserve toutes les dispositions relatives à la garantie figurant dans le présent document. Si vous n'êtes pas prêt, en tant qu'acheteur, à accepter ces dispositions en relation avec l'utilisation du produit, nous vous demandons de restituer au vendeur le produit complet, non utilisé et dans son emballage d'origine.

### Indications relatives à la sécurité

Ceci est un produit de loisirs perfectionné et non un jouet. Il doit être utilisé avec précaution et bon sens et nécessite quelques aptitudes mécaniques ainsi que mentales. L'incapacité à utiliser le produit de manière sûre et raisonnable peut provoquer des blessures et des dégâts matériels conséquents. Ce produit n'est pas destiné à être utilisé par des enfants sans la surveillance par un tuteur. La notice d'utilisation contient des indications relatives à la sécurité ainsi que des indications concernant la maintenance et le fonctionnement du produit. Il est absolument indispensable de lire et de comprendre ces indications avant la première mise en service. C'est uniquement ainsi qu'il sera possible d'éviter une manipulation erronée et des accidents entraînant des blessures et des dégâts. Horizon Hobby ne saurait être tenu responsable d'une utilisation ne respectant pas les lois, les règles ou réglementations en vigueur.

### Questions, assistance et réparations

Votre revendeur spécialisé local et le point de vente ne peuvent effectuer une estimation d'éligibilité à l'application de la garantie sans avoir consulté Horizon. Cela vaut également pour les réparations sous garantie. Vous voudrez bien, dans un tel cas, contacter le revendeur qui conviendra avec Horizon d'une décision appropriée, destinée à vous aider le plus rapidement possible.

### Maintenance et réparation

Si votre produit doit faire l'objet d'une maintenance ou d'une réparation, adressez-vous soit à votre revendeur spécialisé, soit directement à Horizon. Emballez le produit soigneusement. Veuillez noter que le carton d'emballage d'origine ne suffit pas, en règle générale, à protéger le produit des dégâts pouvant survenir pendant le transport. Faites appel à un service de messagerie proposant une fonction de suivi et une assurance, puisque Horizon ne prend aucune responsabilité pour l'expédition du produit jusqu'à sa réception acceptée. Veuillez joindre une preuve d'achat, une description détaillée des défauts ainsi qu'une liste de tous les éléments distincts envoyés. Nous avons de plus besoin d'une adresse complète, d'un numéro de téléphone (pour demander des renseignements) et d'une adresse de courriel.

### Garantie et réparations

Les demandes en garantie seront uniquement traitées en présence d'une preuve d'achat originale émanant d'un revendeur spécialisé agréé, sur laquelle figurent le nom de l'acheteur ainsi que la date d'achat. Si le cas de garantie est confirmé, le produit sera réparé. Cette décision relève uniquement de Horizon Hobby.

### Réparations payantes

En cas de réparation payante, nous établissons un devis que nous transmettons à votre revendeur. La réparation sera seulement effectuée après que nous ayons reçu la confirmation du revendeur. Le prix de la réparation devra être acquitté au revendeur. Pour les réparations payantes, nous facturons au minimum 30 minutes de travail en atelier ainsi que les frais de réexpédition. En l'absence d'un accord pour la réparation dans un délai de 90 jours, nous nous réservons la possibilité de détruire le produit ou de l'utiliser autrement.

**ATTENTION:** nous n'effectuons de réparations payantes que pour les composants électroniques et les moteurs. Les réparations touchant à la mécanique, en particulier celles des hélicoptères et des voitures radiocommandées, sont extrêmement coûteuses et doivent par conséquent être effectuées par l'acheteur lui-même.

10/15

## COORDONNÉES DE GARANTIE ET RÉPARATIONS

Pays d'achat	Horizon Hobby	Numéro de téléphone/E-mail	Adresse
Union européenne	Horizon Technischer Service	service@horizonhobby.de	Hanskampring 9 D 22885 Barsbüttel, Germany
	Sales: Horizon Hobby GmbH	+49 (0) 4121 2655 100	

## INFORMATION DE IC

IC: 6157A-DX3Q2UC

IC: 6157A-SR6200A

CAN ICES-3 (B)/NMB-3(B)

Le présent appareil est conforme aux CNR d'Industrie Canada applicables aux appareils radio exempts de licence. L'exploitation est autorisée aux deux conditions suivantes :

(1) l'appareil ne doit pas produire de brouillage, et (2) l'utilisateur de l'appareil doit accepter tout brouillage radioélectrique subi, même si le brouillage est susceptible d'en compromettre le fonctionnement.

## INFORMATIONS DE CONFORMITÉ POUR L'UNION EUROPÉENNE

**CE** Déclaration de conformité de l'Union européenne:  
Losi Tenacity DB Pro, RTR (LOS03027)

Par la présente, Horizon Hobby, LLC déclare que cet appareil est conforme aux directives suivantes : Directive relative aux équipements radioélectriques 2014/53/UE ; Directive RoHS 2 2011/65/UE ; Directive RoHS 3 - Modifiant 2011/65/UE Annexe II 2015/863.

Le texte complet de la déclaration de conformité UE est disponible à l'adresse Internet suivante : <https://www.horizonhobby.com/content/support-render-compliance>.

**Gamme de fréquences sans fil et Puissance de sortie sans fil:**

**Émetteur:**

2402–2478MHz

17.7 dBm

**Récepteur:**

2404–2476MHz

5.58dBm



**Fabricant officiel de l'UE :**

Horizon Hobby, LLC  
2904 Research Road  
Champaign, IL 61822 USA

**Importateur officiel de l'UE :**

Horizon Hobby, GmbH  
Hanskampring 9  
22885 Barsbüttel Germany



**DIRECTIVE DEEE :**

L'étiquette de cet appareil respecte la directive européenne 2012/19/UE en matière de déchets des équipements électriques et électroniques (DEEE). Cette étiquette indique que ce produit ne doit pas être jeté avec les déchets ménagers, mais déposé dans une installation appropriée afin de permettre sa récupération et son recyclage.



## AVVISO

Tutte le istruzioni, le garanzie e gli altri documenti pertinenti sono soggetti a cambiamenti a totale discrezione di Horizon Hobby, LLC. Per una documentazione aggiornata sul prodotto, visitare il sito [horizonhobby.com](http://horizonhobby.com) o [towerhobbies.com](http://towerhobbies.com) e fare clic sulla sezione Support del prodotto.

### CONVENZIONI TERMINOLOGICHE

Nella documentazione relativa al prodotto vengono utilizzati i seguenti termini per indicare i vari livelli di pericolo potenziale durante l'uso del prodotto:


**AVVERTENZA:** Indica procedure che, se non debitamente seguite, determinano il rischio di danni alle cose, danni collaterali e gravi lesioni alle persone o il rischio elevato di lesioni superficiali alle persone.

**ATTENZIONE:** Indica procedure che, se non debitamente seguite, determinano il rischio di danni alle cose e di gravi lesioni alle persone.

**AVVISO:** Indica procedure che, se non debitamente seguite, possono determinare il rischio di danni alle cose e il rischio minimo o nullo di lesioni alle persone.

 **AVVERTENZA:** leggere TUTTO il manuale di istruzioni e familiarizzare con le caratteristiche del prodotto prima di farlo funzionare. Un uso improprio del prodotto può causare danni al prodotto stesso e alle altre cose e gravi lesioni alle persone.

Questo modello è un prodotto sofisticato per appassionati di modellismo. Deve essere azionato in maniera attenta e responsabile e richiede alcune conoscenze basilari di meccanica. L'uso improprio o irresponsabile di questo prodotto può causare lesioni alle persone e danni al prodotto stesso o alle altre cose. Questo prodotto non deve essere utilizzato dai bambini senza la diretta supervisione di un adulto. Non tentare di smontare, utilizzare componenti incompatibili o modificare il prodotto in nessun caso senza previa approvazione di Horizon Hobby, LLC. Questo manuale contiene le istruzioni per la sicurezza, l'uso e la manutenzione del prodotto. È fondamentale leggere e seguire tutte le istruzioni e le avvertenze del manuale prima di montare, impostare o utilizzare il prodotto, al fine di utilizzarlo correttamente e di evitare di causare danni alle cose o gravi lesioni alle persone.

 **AVVERTENZA CONTRO PRODOTTI CONTRAFFATTI** Acquistate sempre da rivenditori autorizzati Horizon Hobby per essere certi di avere prodotti originali Spektrum di alta qualità. Horizon Hobby rifiuta qualsiasi supporto o garanzia riguardo, ma non limitato a, compatibilità e prestazioni di prodotti contraffatti o che dichiarano compatibilità con la tecnologia DSM o Spektrum.

**Età consigliata: almeno 14 anni. Questo non è un giocattolo.**

### PRECAUZIONI E AVVERTENZE SULLA SICUREZZA

In quanto utilizzatore di questo prodotto, voi siete gli unici responsabili per una condotta che non costituisca pericolo per voi e gli altri, e che possa causare danni al modello o ad altre proprietà. Questo modello è controllato da un segnale radio potenzialmente soggetto a interferenze da molte fonti che non potete controllare. Queste interferenze possono generare momentanee perdite di controllo del modello, quindi è consigliabile mantenere sempre una certa distanza di sicurezza in ogni direzione, poichè questo può aiutare ad evitare urti o infortuni.

- Non utilizzare mai il modello con batterie scariche.
- Utilizzate sempre il modello in zone ampie, sgombre da persone, macchine e traffico.
- Non utilizzate mai il modello in strade aperte al traffico o in luoghi affollati.
- Seguite attentamente le avvertenze d'uso di questo modello e di ogni altro accessorio (caricabatterie, batterie ricaricabili ecc.).
- Tenete qualsiasi prodotto chimico o elettrico al di fuori della portata dei bambini.
- Non leccate o ingerite alcun pezzo del modello perchè questo può causare infortuni seri, o addirittura la morte.

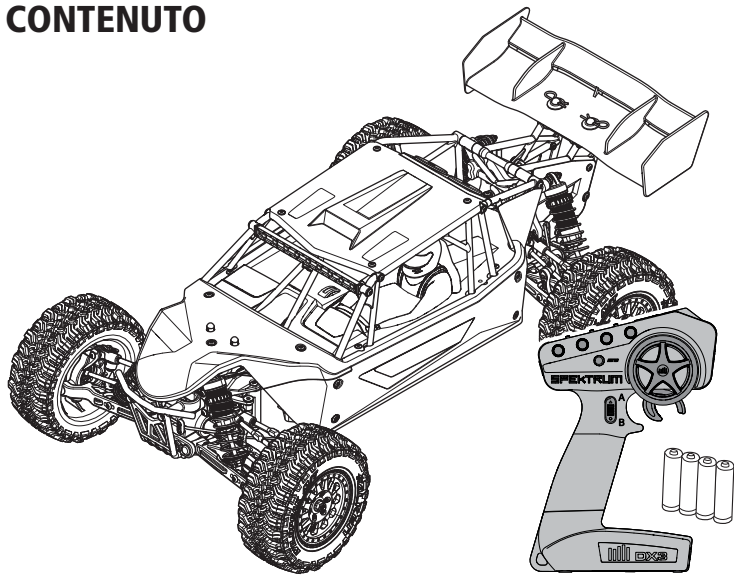
- Utilizzate sempre con attenzione attrezzi e oggetti affilati.
- Prestare attenzione durante la costruzione perchè alcune parti potrebbero avere degli spigoli vivi.
- Subito dopo l'uso NON toccate componenti del modello quali motore, variatore elettronico o la batteria, perchè si scaldano molto durante il funzionamento. Toccandoli potreste scottarvi.
- Non infilate le dita tra gli ingranaggi del modello o altre parti in rotazione o movimento, poichè questo può causare danni o infortuni gravi.
- Accendete sempre prima la trasmittente e poi la ricevente sul modello. Invece spegnete sempre prima la ricevente e poi la trasmittente.
- Sollevate le ruote del modello da terra quando controllate il cor retto funzionamento dell'apparato radio.

## TABLE OF CONTENTS

CONTENUTO.....	27
COMPONENTI.....	27
VEICOLO RESISTENTE ALL'ACQUA CON ELETTRONICA IMPERMEABILE .....	27
PRECAUZIONI GENERALI.....	27
MANUTENZIONE IN CONDIZIONI UMIDE .....	27
AVVIO RAPIDO .....	27
CARICA DELLA BATTERIA.....	27
METTERE LA BATTERIA .....	28
SISTEMA RADIO SPEKTRUM DX3.....	28
INSTALLARE LE PILE DEL TRASMETTITORE .....	28
RICEVENTE SRS6200A CON TECNOLOGIA AVC .....	28
CANALI AUX .....	28
DISATTIVAZIONE DELLA TECNOLOGIA AVC.....	29
FAILSAFE .....	29
PRECAUZIONI NELLA GUIDA .....	29
ACCENSIONE DEL VEICOLO.....	29
PRIMA DI USARE IL VEICOLO .....	29
REGOLAZIONE DEL VALORE DI SENSIBILITÀ .....	29
TEMPO DI UTILIZZO .....	30
PER MIGLIORARE LA DURATA DI FUNZIONAMENTO.....	30
ESEGUIRE UN CONTROLLO DELLA DIREZIONE DEI COMANDI .....	30
CAMBIARE I PARAMETRI DI REGOLAZIONE DELLA CORSA.....	30

ESC BRUSHLESS SPEKTRUM FIRMA SMART 130 A (SPMXSE1130) .....	30
SPECIFICHE.....	30
STATO LED ESC .....	30
SEGNALI ACUSTICI DI AVVERTIMENTO .....	30
PROCEDURA DI CALIBRAZIONE DELL'ESC .....	30
FUNZIONI E MODALITÀ ESC.....	31
TABELLA DI PROGRAMMAZIONE .....	31
PROCEDURA DI PROGRAMMAZIONE DELL'ESC .....	31
DESCRIZIONI.....	31
SPEKTRUM FIRMA 3150KV MOTORE BRUSHLESS .....	32
PRECAUZIONI .....	32
RIDUTTORE.....	32
CAMBIARE PIGNONE/RAPPORTO DI RIDUZIONE.....	32
REGOLARE IL GIOCO DELL'INGRANAGGIO .....	32
IMPOSTAZIONI DELLA TELEMETRIA .....	32
GUIDA ALLA RISOLUZIONE DEI PROBLEMI.....	32
GARANZIA .....	32
GARANZIA E ASSISTENZA INFORMAZIONI PER I CONTATTI.....	33
INFORMAZIONI SULLA CONFORMITÀ PER L'UNIONE EUROPEA.....	33
ELENCO DEI RICAMBI .....	34
PARTI CONSIGLIATE .....	35
PARTI OPZIONALI .....	35
VISTA ESPLOSA DELLE PARTI .....	36

## CONTENUTO



## COMPONENTI

- Lozi TENACITY DB PRO RTR, AVC: Desert Buggy 4WD in scala 1/10 (LOS03027V2T1/T2)
- Trasmettitore Spektrum DX3 Active 2,4 GHz (SPM2340)
- Ricevente di superficie Spektrum SR6200A 6 canali AVC con telemetria (SPMSR6200A)
- Servo impermeabile, alloggiamento centrale in metallo, Spektrum 15KG 23T (SPMS614S)
- ESC Brushless Spektrum Firma SMART 130 A (SPMXSE1130)
- Motore Brushless Spektrum Firma 3150 Kv (SPMXSM1000)
- 4 batterie AA (per la trasmettitore)

## VEICOLO RESISTENTE ALL'ACQUA CON ELETTRONICA IMPERMEABILE

Il vostro nuovo veicolo Horizon Hobby è stato progettato e costruito con una combinazione di componenti impermeabili e resistenti all'acqua, per consentirvi di utilizzare il prodotto in molte situazioni "umide", incluse pozze, ruscelli, erba bagnata, neve e anche pioggia.

Sebbene tutto il veicolo sia altamente resistente all'acqua, tuttavia non è completamente impermeabile e NON si può trattare come fosse un sottomarino. I vari componenti elettronici usati sul veicolo, come il regolatore elettronico di velocità (ESC), i servi e il ricevitore, sono impermeabili, però molti dei componenti meccanici sono solo resistenti all'acqua e non si possono immergere.

Le parti metalliche, inclusi i cuscinetti, le cerniere, viti e dadi, come pure i contatti sui cavi elettrici, sono suscettibili di corrosione se non si fa una particolare manutenzione dopo l'uso sul bagnato. Per prolungare al massimo le prestazioni nel tempo e tenere valida la garanzia, le procedure descritte nella sezione "Manutenzione in condizioni umide," si devono applicare regolarmente se si sceglie di correre sul bagnato. Se non siete disposti ad eseguire questa manutenzione aggiuntiva, allora dovete evitare di utilizzare il veicolo in queste condizioni.

**ATTENZIONE:** L'uso incauto di questo prodotto o il mancato rispetto delle seguenti precauzioni può portare ad un malfunzionamento del prodotto e/o invalidare la garanzia.

### PRECAUZIONI GENERALI

- Leggete attentamente le procedure di manutenzione del vostro veicolo in condizioni umide, per essere sicuri di avere tutte le attrezzature necessarie per questo scopo.
- Non tutte le batterie si possono usare in condizioni di umidità. Consultate il costruttore delle batterie prima di utilizzarle. Bisogna avere cautela quando si usano le batterie Li-Po in condizioni di bagnato.
- Molti trasmettitori non sono resistenti all'acqua. Consultate i relativi manuali o il costruttore prima dell'utilizzo.
- Non utilizzate mai il vostro trasmettitore o il veicolo quando ci sono lampi.
- Non utilizzate il vostro veicolo quando c'è il rischio che entri in contatto con acqua salata (acqua marina o acqua proveniente da una strada su cui sia stato sparso del sale), acqua contaminata o inquinata. L'acqua salata è molto conduttiva e altamente corrosiva, perciò bisogna usare molta cautela.
- Anche il minimo contatto con l'acqua potrebbe ridurre la vita del vostro motore se non è stato certificato come impermeabile o resistente all'acqua. Se dovesse essere troppo umido, accelerate poco finché l'acqua non viene rimossa dal motore. Far girare forte un motore bagnato potrebbe danneggiarlo rapidamente.
- Guidare sul bagnato può ridurre la vita del motore. La resistenza aggiuntiva in queste condizioni causa uno sforzo eccessivo. Modificate il rapporto di riduzione diminuendo il

pignone o aumentando la corona. Questo aumenta la coppia (e la vita del motore) quando si utilizza il veicolo nel fango, in pozzanghere profonde o qualsiasi altra situazione in cui l'umidità possa aumentare il carico del motore per lungo tempo.

### MANUTENZIONE IN CONDIZIONI UMIDE

- Scaricare l'acqua raccolta negli pneumatici facendoli girare ad alta velocità. Togliere la carrozzeria e rovesciare il veicolo, poi dare alcune brevi accelerate finché l'acqua non viene rimossa.



**ATTENZIONE:** Durante l'operazione precedente, tenere sempre lontano dalle parti rotanti mani, dita, attrezzi o altri oggetti liberi di muoversi.

- Togliere la batteria ed asciugarne i contatti. Se avete un compressore o una bombola di aria compressa, soffiare via l'eventuale acqua rimasta all'interno del connettore.
- Smontate le ruote/gomme dal veicolo e risciacquatele con attenzione per togliere il fango e la polvere usando un getto di acqua. Evitate di risciacquare i cuscinetti e la trasmissione.

**AVVISO:** Non usare acqua sotto pressione per pulire il vostro veicolo.

- Usate un compressore o una bombola di aria compressa per asciugare il veicolo e togliere i residui di acqua eventualmente rimasti nelle piccole fessure e negli angoli.
- Spruzzare un olio impermeabilizzante o un lubrificante su cuscinetti, elementi di fissaggio e altre parti metalliche. Non spruzzare sul motore.
- Lasciate che il veicolo si asciughi all'aria prima di riporlo. L'acqua (e l'olio) continuerà a sgocciolare per alcune ore.
- Smontate il veicolo più di frequente, ispezionando e lubrificando le parti seguenti:
  - I cuscinetti dei mozzoni sugli assi anteriore e posteriore.
  - Tutte le scatole di trasmissione, ingranaggi e differenziali.
  - Pulite il motore con un adatto prodotto aerosol e rilubrificate le boccole con olio leggero per motore.

## AVVIO RAPIDO

Si prega di leggere tutto il manuale per conoscere completamente il veicolo TEN SCBE RTR per poterlo mettere a punto e fargli la manutenzione.

1. Leggere le precauzioni per la sicurezza che si trovano in questo manuale.
2. Caricare la batteria del veicolo. Fare riferimento alle avvertenze per la carica e a tutte le informazioni riguardanti la carica, comprese in questo manuale.
3. Installare nel trasmettitore le pile AA. Usare solo pile alcaline o batterie ricaricabili.
4. Montare sul veicolo la batteria completamente carica.
5. Accendere il trasmettitore e poi il veicolo. Aspettare 5 secondi in modo che l'ESC possa inicializzarsi. Accendere sempre il trasmettitore prima del veicolo e spegnerlo dopo aver spento il veicolo.
6. Verificare che i comandi e i servi che li controllano si muovano nella giusta direzione.
7. Guidare il veicolo.
8. Eseguire tutte le manutenzioni necessarie.

## CARICA DELLA BATTERIA

Scegliere una batteria ideata per lavorare con l'ESC Brushless Spektrum Firma SMART 130 A (SPMXSE1130). Si consiglia una batteria hardcase Spektrum 5000 mAh 2S 7,4 V 50C SMART LiPo con connettore IC5 (SPMX50002S50H5) oppure una batteria hardcase Spektrum 5000 mAh 3S 11,1 V 50C SMART LiPo con connettore IC5 (SPMX50003S50H5). Scegliere un caricabatterie adatto alle batterie LiPo 2S e/o 3S.

Si consiglia il caricatore/scaricatore con bilanciamento in ingresso Dynamite Passport P1 mini-AC (DYNC3015). Fare riferimento ai manuali di batteria e caricabatterie per istruzioni su utilizzo, sicurezza e carica.

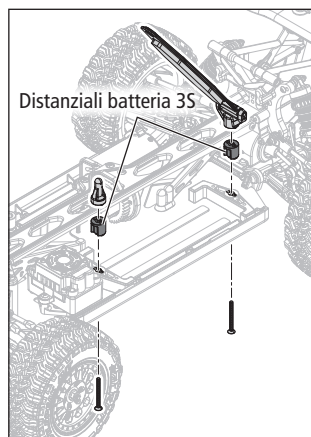
**IMPORTANTE:** se si utilizza una batteria 3S, è necessario sostituire il pignone del motore con il pignone 15T fornito con il modello.

## METTERE LA BATTERIA

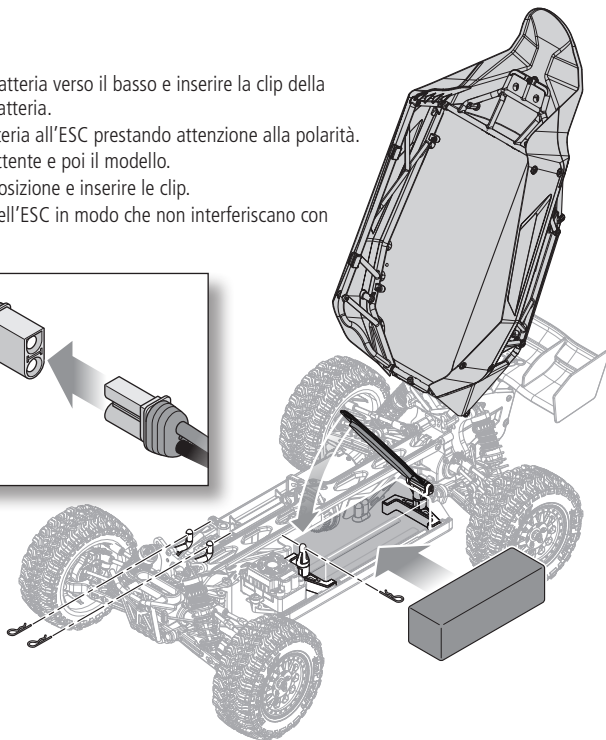
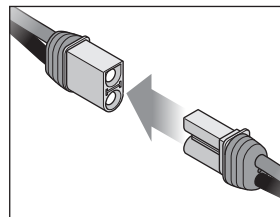
1. Accertarsi che l'ESC sia spento.
2. Rimuovere le clip della carrozzeria e ruotare la carrozzeria.
3. Rimuovere la clip della carrozzeria dal fermo della batteria e aprire il supporto della batteria.
4. Inserire la batteria nel vano batteria.

Il modello è predisposto in fabbrica per le batterie LiPo 2S. Se si preferisce usare una batteria LiPo 3S, applicare nel vano batteria i distanziali in dotazione come mostrato in figura.

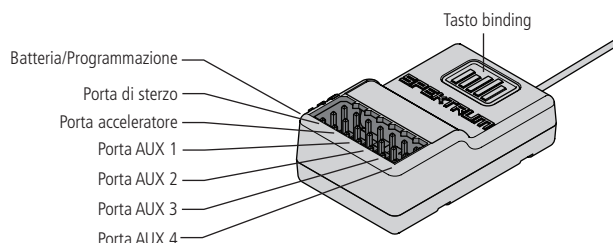
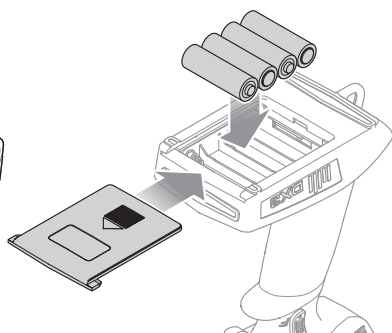
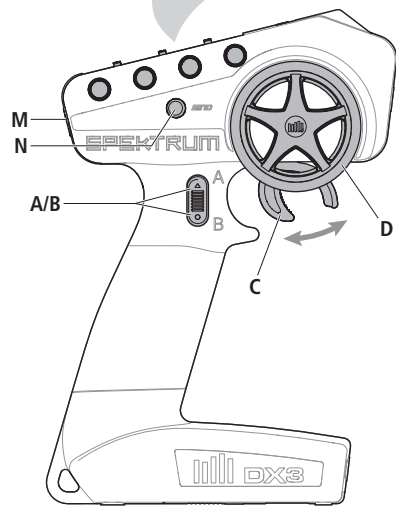
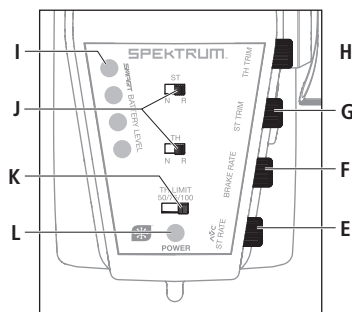
**AVVISO:** con una batteria LiPo 2S, utilizzare il pignone 17T fornito. con una batteria LiPo 3S, utilizzare il pignone opzionale 15T (fornito). Utilizzare un pignone 17T con una batteria LiPo 3S provocherà danni a ESC e motore.



5. Ruotare la fascetta della batteria verso il basso e inserire la clip della carrozzeria per fissare la batteria.
  6. Collegare il cavo della batteria all'ESC prestando attenzione alla polarità.
  7. Accendere prima la trasmittente e poi il modello.
  8. Ruotare la carrozzeria in posizione e inserire le clip.
- IMPORTANTE:** fissare i fili dell'ESC in modo che non interferiscano con l'ingranaggio.



## SISTEMA RADIO SPEKTRUM DX3



### A/B. Tasto Canale 3

#### C. Gas/Freno

#### D. Volantino sterzo

#### E. Rateo sterzo - Regola la fine corsa dello sterzo

#### F. Rateo freno - Regola la fine corsa del freno.

#### G. Trim sterzo - Regola il punto centrale dello sterzo. Il trim dello sterzo è solitamente regolato fino a ottenere la marcia del veicolo in linea retta.

#### H. Trim gas - Regola il punto neutro del gas

#### I. Indicatore di livello della batteria SMART

#### J. Inversione corsa servo - Per invertire i canale di gas (TH) o sterzo (ST), impostare il corrispondente interruttore su "N" per normale, "R" per inversione.

#### K. Limite gas - Limita la potenza del motore al 50/75/100% Selezionare 50% o 75% per i piloti meno esperti e quando si pilota il modello in spazi ridotti.

#### L. LED On/Off

- **Luci rosse fisse:** connessione radio presente e carica della batteria adeguata
- **Luci rosse lampeggianti:** la tensione della batteria è eccessivamente bassa. Sostituire le batterie

#### M. Pulsante di accensione

#### N. Tasto di binding

### INSTALLAZIONE PILE TRASMETTITORE

Per questo trasmettitore servono 4 pile AA.

1. Togliere il coperchio del portapile dal trasmettitore.
2. Inserire le pile come illustrato.
3. Rimettere a posto il coperchio del portapile.

**ATTENZIONE:** non rimuovere mai le batterie dal trasmettitore mentre il modello è acceso. Una perdita di controllo del modello, danni o lesioni potrebbe verificare.

**ATTENZIONE:** se si usano anche le batterie ricaricabili, si raccomanda di caricare solo queste. È pericoloso caricare le pile a secco perché potrebbero esplodere causando lesioni e/o danni.

**ATTENZIONE:** se le batterie vengono sostituite con tipi non adatti, potrebbero esplodere. Le batterie si devono smaltire nel modo corretto secondo le disposizioni locali.

### RICEVENTE SR6200A CON TECNOLOGIA AVC

#### CANALI AUX

I canali AUX possono controllare dei servi aggiuntivi oppure alimentare un transponder personale.

Se l'AVC è attivo, sono operativi solo quattro canali: sterzo, motore, AUX3 e AUX4. I rimanenti canali AUX possono essere utilizzati per alimentare luci o un transponder personale.

Se l'AVC non è attivo (si veda il relativo paragrafo sul manuale), i canali AUX si possono usare per comandare dei servi aggiuntivi.



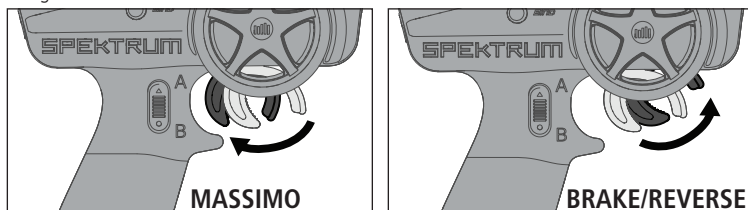
## CONNESSIONE E CALIBRAZIONE DELLA RICEVENTE

La connessione (binding) è la procedura di collegamento del ricevitore SR6200A alla trasmittente Spektrum. Le funzioni AVC sul ricevitore possono essere abilitate o disattivate durante il processo di connessione.

**IMPORTANTE:** è necessario calibrare la ricevente ogni volta che si imposta la modalità Bind.

Al momento della configurazione iniziale dopo la prima connessione, il modello deve essere configurato per direzione servo, trim e corsa. Successivamente il ricevitore deve essere riconnesso e tarato alle impostazioni previste per un funzionamento corretto. Centrare il trim sterzo e trim gas sulla trasmittente prima di iniziare.

1. Tenere premuto il tasto di binding sulla ricevente.
2. Accendere il ricevitore. Il LED arancione lampeggia, ad indicare che il ricevitore si trova in modalità di connessione. Quando il LED arancione si accende, rilasciare il pulsante di connessione.
3. Collocare la propria trasmittente in modalità di binding. Il processo di binding è completo quando il LED arancione sul ricevitore rimane fisso. A questo punto il ricevitore è collegato ma deve essere tarato prima di funzionare.
4. Tirare il grilletto della trasmittente al massimo, mettere in pausa, quindi riportare il grilletto al centro.



5. Spingere il grilletto della trasmittente al massimo, mettere in pausa, quindi riportare il grilletto al centro.
6. Ruotare la ruota di sterzo della trasmittente completamente a destra, mettere in pausa, quindi riportare la ruota al centro.
7. Ruotare la ruota di sterzo della trasmittente completamente a sinistra, mettere in pausa, quindi riportare la ruota al centro. Il LED arancione lampeggia per confermare che le impostazioni sono state accettate.
8. Spegnerne il veicolo per completare la procedura di connessione e taratura.

**ATTENZIONE:** Quando il processo di connessione è completo, il gas e i canali di sterzo sono attivi. Tenere le mani ed eventuali oggetti lontano dalle parti del veicolo in rotazione.

**IMPORTANTE:** è necessario ripetere la procedura di connessione della trasmittente con la ricevente nei seguenti casi:

- Si modifichi l'inversione del servo dopo la connessione
- Si modifichi la corsa dopo la connessione
- Si modifichi l'orientamento di montaggio del ricevitore

### DISATTIVAZIONE DELLA TECNOLOGIA AVC

Se si partecipa a competizioni ufficiali, potrebbe essere necessario disattivare la tecnologia AVC. Per disattivarla, inserire un secondo connettore bind nell'apposita porta dopo la connessione.

1. Collegare l'alimentazione al ricevitore, premere e rilasciare rapidamente il pulsante di binding tre volte (entro 1,5 secondi).
2. Premere e tenere premuto il pulsante di binding e mettere il ricevitore in modalità binding. Rilasciare il pulsante quando il LED inizia a lampeggiare rapidamente, indicando che si trova in modalità binding.

Quando il sistema AVC è stato disattivato, il LED sul ricevitore mostrerà tre lampeggiamenti al momento dell'accensione, quindi rimarrà fisso. Il ricevitore è connesso e funziona normalmente quando il LED rimane acceso.

**CONSIGLIO:** Se la funzione AVC nel ricevitore è attiva e il menù AVC nella trasmittente è inibito, le funzioni AVC si imposteranno in modo predefinito su AUX 1 e AUX 2 e in questo scenario AVC non funzionerà correttamente.

### FAILSAFE

Nel malaugurato caso che si perda il collegamento radio durante l'utilizzo, il ricevitore mancherà il servo del motore nella posizione neutra (motore al minimo). Se si accende il ricevitore prima del trasmettitore, il ricevitore entrerà in modalità Failsafe portando il canale del motore nel suo punto neutro. Quando si accende il trasmettitore, tutto torna normale.

**IMPORTANTE:** Il Failsafe si attiva solo nel caso che venga perso il segnale del suo trasmettitore. Non si attiverà se la batteria del ricevitore scende sotto alla sua tensione minima o se il ricevitore non è più alimentato.

## PRECAUZIONI NELLA GUIDA

- Durante la guida mantenere sempre il veicolo bene in vista.
- Periodicamente ispezionare bene il veicolo per controllare eventuali viti allentate.
- Periodicamente ispezionare bene il gruppo dello sterzo per verificare i giochi. La guida in fuori strada è fonte di colpi e vibrazioni.
- Non mandare il veicolo nell'erba alta, perché si potrebbe danneggiare sia la parte meccanica che quella elettronica.
- Smettere di guidare quando si nota una diminuzione di potenza. Quando la batteria si scarica il ricevitore smette di funzionare e si perde il controllo del veicolo con possibili danni al veicolo stesso o alle cose e persone circostanti. Questo tipo di danni non è coperto dalla garanzia.

**ATTENZIONE:** Se non si utilizza questo prodotto con attenzione e non si osservano le seguenti avvertenze, potrebbero verificarsi malfunzionamenti, problemi elettrici, eccessivo sviluppo di calore, incendi e, in definitiva, lesioni e danni materiali.

- Non comandare avanti o indietro il veicolo se è bloccato, altrimenti si potrebbe danneggiare sia il motore che il regolatore.
- Dopo aver usato il veicolo per un certo periodo, attendere che le parti elettroniche si raffreddino prima di usarlo di nuovo.

**IMPORTANTE:** Tenere lontano i cavi da tutte le parti mobili.

## PRIMA DI USARE IL VEICOLO

1. Verificare che tutto il sistema delle sospensioni si muova liberamente. Qualsiasi parte bloccata o frenata non permette al veicolo di dare le sue prestazioni migliori.

**CONSIGLIO:** Per migliorare l'altezza libera dal suolo del vostro veicolo, installare i distanziali ammortizzatori inclusi. Il distanziale ammortizzatore è di 4mm. Potete aggiungere uno o due distanziali di misura media (2 mm) e/o piccola (1 mm) per aumentare l'altezza libera dal suolo del vostro veicolo.

2. Ricarica batteria. Caricare sempre la batteria come dalle istruzioni allegate alla batteria o al caricabatterie.
3. Settaggio del trim dello sterzo. Seguire le istruzioni su come settare il trim/subtrim, in modo che il vostro veicolo viaggi dritto senza dover agire sul radiocomando.
4. Eseguire un controllo della direzione dei comandi.

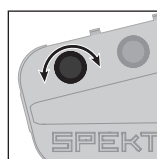
## ACCENSIONE DEL VEICOLO

1. Centrare le manopole ST TRIM e TH TRIM sul trasmettitore.
2. Accendere il trasmettitore.
3. Collegare all'ESC una batteria completamente carica.
4. Accendere l'ESC.

**IMPORTANTE:** Il veicolo DEVE restare immobile per almeno 5 secondi su di una superficie piana e livellata.

## REGOLAZIONE DEL VALORE DI SENSIBILITÀ

La manopola ST RATE regola la sensibilità, ovvero la stabilità sul ricevitore. Se si aumenta la sensibilità, il sistema AVC diventa maggiormente sensibile agli spostamenti laterali del veicolo. Bisognerebbe usare la sensibilità massima quando si va ad alta velocità e si vuole che il veicolo vada dritto. Man mano che la sensibilità aumenta, la corsa dello sterzo diminuisce.



Girare in senso antiorario la manopola ST RATE per ridurre la sensibilità.

Girare in senso orario la manopola ST RATE per aumentare la sensibilità.

**IMPORTANTE:** La manopola ST RATE regola la sensibilità solo quando il trasmettitore è connesso ad un ricevitore DSMR. Quando il trasmettitore è connesso ad un ricevitore DSM, DSM2 o DSM marino, la manopola ST RATE controlla il riduttore di corsa dello sterzo.

## TEMPO DI UTILIZZO

Il fattore più importante nel tempo di funzionamento è la capacità della batteria; più sono i mAh contenuti, maggiore sarà il tempo di utilizzo per ogni carica.

Anche le condizioni di una batteria hanno influenza sia sulla durata che sulla velocità. I connettori della batteria potrebbero scaldarsi durante il funzionamento. Le batterie perdono le loro caratteristiche man mano che si usano.

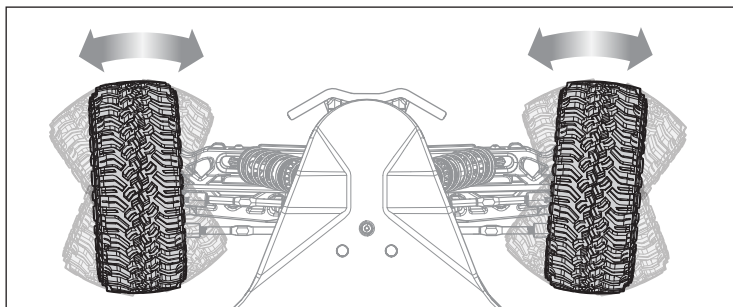
Ripetute partenze da fermo con accelerazioni violente, nel tempo possono danneggiare sia la batteria che i componenti elettronici. Le forti accelerazioni riducono anche il tempo di utilizzo per ogni singola ricarica.

### PER MIGLIORARE LA DURATA DI FUNZIONAMENTO

- Mantenere il veicolo sempre pulito e con una frequente manutenzione.
- Favorire il flusso dell'aria sull'ESC e sul motore.
- Cambiare gli ingranaggi per avere una riduzione più alta e diminuire le temperature delle parti elettroniche. Quindi usare un pignone più piccolo o una corona più grande per aumentare la riduzione.
- Usare una batteria con maggiore capacità in mAh.
- Usare un caricabatteria adatto alla batteria usata (consultare il proprio rivenditore per maggiori informazioni).

## ESEGUIRE UN CONTROLLO DELLA DIREZIONE DEI COMANDI

Eseguire una verifica con le ruote del veicolo sollevate dal suolo. Se le ruote girano appena dopo che il veicolo è stato acceso, regolare il TH TRIM finché si fermano. Per far muovere le ruote in avanti, tirare il grilletto. Per invertire il moto, attendere che le ruote si fermano, poi spingere il grilletto. Quando si muovono in avanti, le ruote dovrebbero mantenere una linea dritta senza intervenire sullo sterzo. In caso contrario, regolare lo ST TRIM per correggere.



## CAMBIARE I PARAMETRI DI REGOLAZIONE DELLA CORSA

Regolare le corse con le ruote che non toccano terra. Le regolazioni apportate al punto terminale del gas e del freno faranno sì che le ruote girino alla massima velocità, quindi è necessario farsi aiutare a tenere il veicolo saldamente durante la regolazione delle impostazioni.

**ATTENZIONE:** durante la regolazione dei punti terminali delle corse tenere le mani, i capelli e i vestiti non aderenti lontano dalle parti in movimento, specialmente le ruote. L'inosservanza di questa indicazione può causare gravi lesioni all'utente.

1. Tenere il grilletto nella posizione di freno massimo e girare il volantino completamente a destra mentre si accende il trasmettitore. Il LED lampeggia rapidamente indicando che è attivo il modo programmazione.
2. Fine corsa motore: Mantenendo il motore al massimo, girare la manopola TH TRIM per regolare il fine corsa del motore al massimo.
3. Fine corsa freno: Mantenendo il grilletto nella posizione di freno massimo, girare la manopola TH TRIM per regolare il fine corsa del freno al massimo.
4. Fine corsa sterzo a sinistra: Mantenendo il volantino tutto a sinistra, girare la manopola ST TRIM per regolare il fine corsa dello sterzo a sinistra.
5. Fine corsa sterzo a destra: Mantenendo il volantino tutto a destra, girare la manopola ST TRIM per regolare il fine corsa dello sterzo a destra. Riportare il volantino al centro.
6. Spegner il trasmettitore per salvare le regolazioni delle corse. La corsa minima è al 75%, quella massima al 150%.

**IMPORTANTE:** se la corsa viene cambiata sul DX3, bisogna rifare la connessione e calibrare il ricevitore SR6200A.

## ESC BRUSHLESS SPEKTRUM FIRMA SMART 130 A (SPMXSE1130)

### SPECIFICHE

<b>Tipo</b>	Senza sensori, SMART Throttle compatibile
<b>Uscita</b>	130 A/760 A
<b>Funzione</b>	Avanti/Freno–Avanti/Freno Indietro
<b>Tensione di ingresso</b>	7,4 V–14,8 V <b>(Il motore di questo modello non supporta 14,8 V)</b>
<b>Uscita BEC</b>	6 V/4 A
<b>Dimensioni (LxPxH)</b>	57,5 mm x 46 mm x 38 mm
<b>Peso</b>	154 g

### STATO LED ESC

- I LED dell'ESC rimangono spenti se non vi sono segnali in ingresso dalla trasmittente all'acceleratore.
- Il LED ESC rosso si accende quando la trasmittente invia segnali all'acceleratore.

### SEGNALI ACUSTICI DI AVVERTIMENTO

1. **Tensione d'ingresso:** se acceso, l'ESC controlla la tensione di ingresso. Se rileva un problema di tensione, l'ESC emette ripetutamente 2 toni acustici con una pausa di 1 secondo (xx-xx-xx). Spegner l'ESC, assicurarsi che i collegamenti siano saldi e che la carica della batteria non sia così bassa da non poter assicurare un funzionamento sicuro.
2. **Collegamento radio:** se acceso, l'ESC controlla l'ingresso del segnale radio. Se viene rilevato un problema, l'ESC emette ripetutamente 1 tono acustico con una pausa di 2 secondi (x--x--x). Spegner l'ESC e assicurarsi che il sistema radio funzioni correttamente.

**AVVISO:** scollegare sempre la batteria dall'ESC quando si ripone il modello dopo l'uso. L'interruttore dell'ESC controlla solamente l'alimentazione della ricevente e del servo. Se connesso alla batteria, l'ESC continua ad assorbire corrente, con rischio di danni alla batteria dovuti a scaricamento eccessivo.

### PROCEDURA DI CALIBRAZIONE DELL'ESC

Completare la procedura di binding tra trasmittente e ricevente prima di calibrare l'ESC.

1. Impostare il canale del motore della trasmittente sul 100% della corsa e centrare il trim del motore.
  2. Collegare una batteria al cavo per la batteria dell'ESC.
  3. Accendere la trasmittente.
  4. Premere e tenere premuto il pulsante SET, quindi accendere l'ESC. Rilasciare il tasto SET quando il LED **rosso** inizia a lampeggiare, indicando che l'ESC è in modalità di calibrazione. L'ESC entra in modalità di programmazione se il tasto viene tenuto premuto per più di tre secondi.
- CONSIGLIO:** il LED rosso deve lampeggiare quando l'ESC entra in modalità di calibrazione. Se il LED verde lampeggia, l'ESC è entrato in modalità di programmazione. Spegner l'ESC e ripetere il passo 4, rilasciando il tasto SET quando il LED rosso inizia a lampeggiare.
5. Con il grilletto del gas sulla trasmittente in posizione neutra, premere e rilasciare il tasto SET dell'ESC. Il LED rosso smette di lampeggiare, il LED verde lampeggia una volta e il motore emette un segnale acustico per indicare che la posizione neutra è stata accettata.
  6. Tenendo il grilletto del gas sulla trasmittente completamente premuto, premere e rilasciare il tasto SET dell'ESC. Il LED verde lampeggia due volte e il motore emette due segnali acustici per indicare che la posizione tutto gas è stata accettata.
  7. Tenendo il grilletto del gas sulla trasmittente in posizione di piena frenata, premere e rilasciare il tasto SET. Il LED verde lampeggia tre volte e il motore emette tre segnali acustici per indicare che la posizione di piena frenata è stata accettata.

Il motore funzionerà normalmente una volta completata la calibrazione.

## FUNZIONI E MODALITÀ ESC

L'ESC include delle opzioni di programmazione che consentono di regolare le prestazioni del veicolo. Consultare la tabella di programmazione allegata per regolare l'ESC in base alle condizioni di guida.

### TABELLA DI PROGRAMMAZIONE

■ Impostazioni predefinite

ELEMENTI PROGRAMMABILI	VALORE PROGRAMMABILE								
	1	2	3	4	5	6	7	8	9
<b>1. Modalità di funzionamento</b>	Avanti con freno	Avanti/Indietro con freno	Avanti/Indietro						
<b>2. Forza frenante</b>	0%	5%	10%	20%	40%	60%	80%	100%	
<b>3. Soglia di spegnimento per bassa tensione</b>	Nessuna protezione	2,6 V/Cella	2,8 V/Cella	3,0 V/Cella	3,2 V/Cella	3,4 V/Cella			
<b>4. Modalità di avvio</b>	Livello 1	Livello 2	Livello 3	Livello 4	Livello 5	Livello 6	Livello 7	Livello 8	Livello 9
<b>5. Forza max del freno</b>	25%	50%	75%	100%	disattivato				
<b>6. Potenza max in retromarcia</b>	25%	50%	75%	100%					
<b>7. Forza iniziale del freno</b>	= aerofreno	0%	20%	40%					
<b>8. Campo neutro</b>	6 % (stretto)	9 % (normale)	12 % (largo)						
<b>9. Anticipo</b>	0,00°	3,75°	7,50°	11,25°	15,00°	18,75°	22,50°	26,25°	
<b>10. Rotazione del motore</b>	Antioraria	Oraria							
<b>11. Celle LiPo</b>	Rilevamento automatico	2 celle	3 celle	4 celle	5 celle	6 celle			

### PROCEDURA DI PROGRAMMAZIONE DELL'ESC

La programmazione si effettua tramite il pulsante SET sull'interruttore ON/OFF\*.

1. Collegare una batteria completamente carica all'ESC.
2. Accendere la trasmittente.
3. Accendere l'ESC.
4. Tenere premuto il tasto SET fino a quando il LED verde lampeggia. Rilasciare il tasto SET per entrare in modalità programmazione.

**CONSIGLIO:** per riportare tutti gli elementi programmabili ai valori predefiniti, tenere premuto il pulsante SET per cinque secondi

5. Premere e rilasciare il pulsante SET come necessario per scorrere tra gli elementi programmabili. Il numero di volte in cui il LED verde lampeggia corrisponde al numero degli elementi programmabili indicato nella tabella di programmazione.
6. Quando si giunge all'elemento programmabile desiderato, tenere premuto il pulsante SET finché il LED rosso lampeggia per selezionare la voce.
7. Premere e rilasciare il pulsante SET per scorrere tra i valori disponibili per l'elemento programmabile in base al numero di volte che il LED lampeggia. Consultare la tabella di programmazione.
8. Salvare l'impostazione tenendo premuto il pulsante SET per 3 secondi.
9. Spegner l'ESC per uscire dalla modalità di programmazione o per cambiare altri elementi programmabili.

\* Altre opzioni di programmazione includono la Programming Box Spektrum SMART Firma ESC (SPMXCA200) e l'applicazione per aggiornamenti e programmazione SmartLink USB. Vedere SpektrumRC.com per maggiori dettagli sull'ESC Spektrum SMART Firma.

### DESCRIZIONI

#### 1. Modalità di funzionamento

- *Solo avanti con freno*

Utilizzato principalmente nelle gare, permette solo il controllo della marcia avanti e del freno.

- *Marcia avanti/indietro con freno*

Questo è il modo base valido in tutte le situazioni, e permette il controllo della marcia avanti, indietro e del freno. Per passare dalla marcia avanti alla marcia indietro e viceversa, bisogna che il veicolo sia completamente fermo. Trovandosi in frenata o in marcia indietro, se si accelera il veicolo parte subito in avanti.

#### 2. Forza frenante

Regola la quantità di freno che viene applicata automaticamente quando si riporta il comando motore al punto neutro. Questo simula il freno motore di un veicolo normale, migliorando il comportamento in curva e, in generale, la risposta ai comandi.

#### 3. Spegnimento per bassa tensione

Questa funzione aiuta a prevenire la sovraccarica delle batterie. L'ESC controlla continuamente la tensione della batteria; se scende sotto la soglia minima per 2 secondi, la potenza viene tagliata e il LED rosso lampeggia 2 volte ripetutamente.

Il calcolo della soglia di spegnimento è basato sulla tensione delle singole celle LiPo. Per le batterie NiMH, se la loro tensione è superiore a 9.0 V, viene considerata come un pacco LiPo da 3 celle; se è inferiore a 9.0 V, sarà considerata come un pacco LiPo da 2 celle. Esempio: per una batteria NiMH da 8.0 V usata con una soglia di 2.6V/cella, sarà considerata come una batteria LiPo da 2 celle e la soglia sarà 5.2 V (2.6 x 2 = 5.2).

Usando il Digital Program Box (DYN3748) opzionale, si possono regolare dei valori di soglia personalizzati. A differenza dei valori preselezionati, i valori personalizzati valgono per la tensione totale della batteria, non per le celle singole.

#### 4. Modalità di accelerazione all'avvio (Throttle Punch)

Stabilisce l'accelerazione iniziale quando l'auto si avvia. Il livello 1 dà una accelerazione molto debole, mentre il livello 9 dà una accelerazione molto forte. Quando si usano i livelli 7, 8 o 9 bisogna utilizzare batterie di elevata potenza, in caso contrario non sarebbero in grado di fornire tutta la potenza richiesta dalla forte accelerazione.

#### 5. Massima forza del freno

Regola la forza massima di frenata. Un valore alto consente frenate brusche, ma potrebbe causare il bloccaggio delle ruote, con perdita di controllo dell'auto.

#### 6. Potenza massima in retromarcia

Questo parametro regola la massima potenza disponibile per la retromarcia.

#### 7. Forza minima iniziale del freno

Regola la potenza minima della frenata. Il valore di default è uguale alla forza frenante del punto 2. Un valore troppo alto potrebbe bloccare le ruote in frenata.

#### 8. Campo neutro

Regola la sensibilità del comando motore intorno al punto neutro. Un valore alto richiede un movimento più ampio del comando motore prima che il veicolo inizi a muoversi avanti, indietro o a frenare.

#### 9. Anticipo

Regola l'anticipo del motore. Un valore alto significa maggiori prestazioni, però diminuisce l'efficienza e potrebbe causare un sovraccarico sia del motore che dell'ESC.

**AVVISO:** verificare sempre che l'anticipo del motore sia regolato nel modo giusto, altrimenti si potrebbero verificare danni al motore e all'ESC. Fare sempre riferimento alle indicazioni del costruttore del motore.

#### 10. Tipo di motore

#### 11. Verso di rotazione del motore

Permette di cambiarlo senza toccare i fili di collegamento tra motore e regolatore (ESC).

#### 12. Celle LiPo

Permette di fare riconoscere automaticamente all'ESC o di impostare manualmente il numero di celle del pacco batteria Li-Po.



# SPEKTRUM FIRMA 3150KV MOTORE BRUSHLESS

## PRECAUZIONI

- Non toccare mai le parti rotanti.
- Non smontare con la batteria collegata.
- Lasciarlo raffreddare prima di toccarlo.

## RIDUTTORE

Questo veicolo viene fornito con la riduzione ottimizzata per la configurazione disponibile. Ha il bilanciamento ideale tra velocità, potenza ed efficienza. Se si vuole personalizzare il veicolo con batterie e motore opzionali, è necessario cambiare il pignone o la corona.

Montando un pignone con meno denti o una corona con più denti si avrà una coppia maggiore, ma la velocità massima viene ridotta. Allo stesso modo, aumentando i denti del pignone o riducendo quelli della corona si avrà meno coppia ma maggiore velocità. Bisogna fare attenzione quando si montano pignoni troppo grandi perché si potrebbe sovraccaricare sia motore che regolatore (ESC) con conseguente surriscaldamento di entrambi. Quindi, quando si provano varie combinazioni di corona e pignone, bisogna tenere sotto controllo la temperatura di motore e regolatore per essere certi che rimanga entro i valori sopportati. Sia motore che regolatore non devono essere troppo caldi da non poterli toccare. Se le temperature fossero troppo alte bisogna sostituire il pignone con uno più piccolo e/o la corona con una più grande.

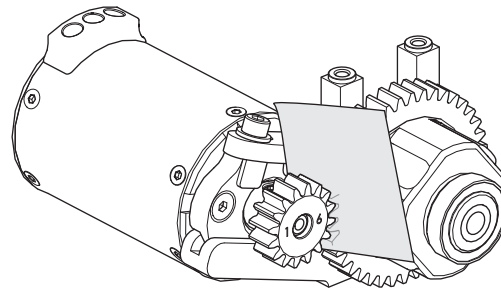
## CAMBIARE PIGNONE/RAPPORTO DI RIDUZIONE

1. Rimuovere la vite che tiene il coperchio dell'ingranaggio del pignone in posizione.
2. Allentare il grano e togliere il pignone installato.
3. Tirare indietro il motore allentando le sue viti.
4. Mettere il nuovo pignone all'estremità dell'albero motore in modo che il grano sia posizionato in corrispondenza della parte piatta dell'albero.
5. Posizionare il pignone in modo che i suoi denti siano allineati con quelli della corona e poi fissarlo stringendo il grano.
6. Regolare il gioco sui denti degli ingranaggi.

## REGOLARE IL GIOCO DELL'INGRANAGGIO

Il gioco è già stato regolato in fabbrica, ma è necessario regolarlo di nuovo quando si cambia motore o ingranaggi. Un giusto gioco tra gli ingranaggi (il modo come si accoppiano) è importante per le prestazioni del veicolo.

Quando il gioco è troppo ampio, la corona potrebbe esser danneggiata dal pignone montato sul motore. Se il gioco fosse troppo stretto, la velocità potrebbe essere limitata e sia il motore che l'ESC si surriscalderebbero.



1. Tirare indietro il motore allentando le sue viti.
2. Mettere un piccolo pezzo di carta tra i denti del pignone e quelli della corona.
3. Avvicinare gli ingranaggi e stringere le viti del motore.
4. Togliere la carta. Controllare il gioco in 3-5 punti differenti sulla corona muovendo leggermente gli ingranaggi.
5. Installare il coperchio dell'ingranaggio.

**AVVISO:** con una batteria LiPo 2S, utilizzare il pignone 17T fornito. con una batteria LiPo 3S, utilizzare il pignone opzionale 15T (fornito). Utilizzare un pignone 17T con una batteria LiPo 3S provocherà danni a ESC e motore.

## IMPOSTAZIONI DELLA TELEMETRIA

Se si utilizza l'applicazione Spektrum Dashboard o il modulo tachimetro opzionale sulla trasmittente, impostare il numero di poli del motore a 4 e il rollout a 38 mm (1,5").

## GUIDA ALLA RISOLUZIONE DEI PROBLEMI

PROBLEMA	POSSIBILI CAUSE	SOLUZIONE
Il veicolo non funziona	Batteria scarica o scollegata	Caricare/collegare la batteria
	Interruttore ESC non su ON	Accendere ESC
	Trasmettitore spento o con batterie scariche	Accendere o sostituire le batterie
Il motore gira ma le ruote posteriori non girano	Il pignone non ingrana con la corona	Regolare il gioco tra pignone e corona
	Il pignone slitta sull'albero motore	Stringere il grano del pignone sulla zona piatta dell'albero
	Ingranaggi trasmissione sgranati	Sostituire gli ingranaggi della trasmissione
	Spinotto di trascinamento rotto	Sostituire lo spinotto
Lo sterzo non funziona	Il connettore del servo non è correttamente inserito nel ricevitore	Verificare che il connettore del servo sia inserito bene e nel canale giusto sul ricevitore
	Ingranaggi o motore del servo, danneggiati	Sostituire o riparare il servo
Non sterza in una direzione	Ingranaggi del servo danneggiati	Sostituire o riparare il servo
Il motore non gira	I fili del motore non sono saldati bene	Rifare la saldatura con l'attrezzatura giusta
	Fili del motore rotti	Riparare o sostituire se necessario
	Regolatore (ESC) danneggiato	Contattare l'assistenza Horizon Hobby
Il regolatore (ESC) si scalda	Ingranaggi sul motore con passo troppo lungo	Usare un pignone più piccolo o una corona più grande
	Trasmissione legata	Verificare eventuali legature sulle ruote o la trasmissione
Tempo di funzionamento scarso o accelerazione fiacca	Batteria non completamente carica	Ricaricare la batteria
	Il caricabatterie non fornisce una carica completa	Provare con un altro caricabatterie
	Trasmissione legata	Verificare eventuali legature sulle ruote o la trasmissione
Portata scarsa e/o disturbi	Batterie trasmettitore scariche	Verificare e sostituire
	Batteria del veicolo scarica	Ricaricare la batteria
	Connettori o fili allentati	Verificare tutti i fili e le connessioni

## GARANZIA

### Periodo di garanzia

Garanzia esclusiva - Horizon Hobby, LLC (Horizon) garantisce che il prodotto acquistato (il "Prodotto") sarà privo di difetti relativi ai materiali e di eventuali errori di montaggio alla data di acquisto. Il periodo di garanzia è conforme alle disposizioni legali del paese nel quale il prodotto è stato acquistato. Tale periodo di garanzia ammonta a 6 mesi e si estende ad altri 18 mesi dopo tale termine.

### Limiti della garanzia

(a) La garanzia è limitata all'acquirente originale (Acquirente) e non è cedibile a terzi. L'acquirente ha il diritto a far riparare o a far sostituire la merce durante il periodo di questa garanzia. La garanzia copre solo quei prodotti acquistati presso un rivenditore autorizzato Horizon. Altre transazioni di terze parti non sono coperte da questa garanzia. La prova di

acquisto è necessaria per far valere il diritto di garanzia. Inoltre, Horizon si riserva il diritto di cambiare o modificare i termini di questa garanzia senza alcun preavviso e di escludere tutte le altre garanzie già esistenti.

(b) Horizon non si assume alcuna garanzia per la disponibilità del prodotto, per l'adeguatezza o l'idoneità del prodotto a particolari previsti dall'utente. È sola responsabilità dell'acquirente il fatto di verificare se il prodotto è adatto agli scopi da lui previsti.

(c) Richiesta dell'acquirente – spetta soltanto a Horizon, a propria discrezione riparare o sostituire qualsiasi prodotto considerato difettoso e che rientra nei termini di garanzia. Queste sono le uniche rivalse a cui l'acquirente si può appellare, se un prodotto è difettoso.

Horizon si riserva il diritto di controllare qualsiasi componente utilizzato che viene coinvolto nella rivalsa di garanzia. Le decisioni relative alla sostituzione o alla riparazione sono a discrezione di Horizon. Questa garanzia non copre dei danni superficiali o danni per cause di forza maggiore, uso errato del prodotto, un utilizzo che viola qualsiasi legge,

regolamentazione o disposizione applicabile, negligenza, uso ai fini commerciali, o una qualsiasi modifica a qualsiasi parte del prodotto.

Questa garanzia non copre danni dovuti ad un'installazione errata, ad un funzionamento errato, ad una manutenzione o un tentativo di riparazione non idonei a cura di soggetti diversi da Horizon. La restituzione del prodotto a cura dell'acquirente, o da un suo rappresentante, deve essere approvata per iscritto dalla Horizon.

### Limiti di danno

Horizon non si riterrà responsabile per danni speciali, diretti, indiretti o consequenziali; perdita di profitto o di produzione; perdita commerciale connessa al prodotto, indipendentemente dal fatto che la richiesta si basa su un contratto o sulla garanzia. Inoltre la responsabilità di Horizon non supera mai in nessun caso il prezzo di acquisto del prodotto per il quale si chiede la responsabilità. Horizon non ha alcun controllo sul montaggio, sull'utilizzo o sulla manutenzione del prodotto o di combinazioni di vari prodotti. Quindi Horizon non accetta nessuna responsabilità per danni o lesioni derivanti da tali circostanze. Con l'utilizzo e il montaggio del prodotto l'utente acconsente a tutte le condizioni, limitazioni e riserve di garanzia citate in questa sede.

Qualora l'utente non fosse pronto ad assumersi tale responsabilità associata all'uso del prodotto, si suggerisce di restituire il prodotto intatto, mai usato e immediatamente presso il venditore.

### Indicazioni di sicurezza

Questo è un prodotto sofisticato di hobbistica e non è un giocattolo. Esso deve essere manipolato con cautela, con giudizio e richiede delle conoscenze basilari di meccanica e delle facoltà mentali di base. Se il prodotto non verrà manipolato in maniera sicura e responsabile potrebbero risultare delle lesioni, dei gravi danni a persone, al prodotto o all'ambiente circostante. Questo prodotto non è concepito per essere usato dai bambini senza una diretta supervisione di un adulto. Il manuale del prodotto contiene le istruzioni di sicurezza, di funzionamento e di manutenzione del prodotto stesso. È fondamentale leggere e seguire tutte le istruzioni e le avvertenze nel manuale prima di mettere in funzione il prodotto. Solo così si eviterà un utilizzo errato e si preverranno incidenti, lesioni o danni.

### Domande, assistenza e riparazioni

Il vostro negozio locale e/o luogo di acquisto non possono fornire garanzie di assistenza o riparazione senza previo colloquio con Horizon. Questo vale anche per le riparazioni in garanzia. Quindi in tali casi bisogna interpellare un rivenditore, che si metterà in contatto subito con Horizon per prendere una decisione che vi possa aiutare nel più breve tempo possibile.

### Manutenzione e riparazione

Se il prodotto deve essere ispezionato o riparato, si prega di rivolgersi ad un rivenditore specializzato o direttamente ad Horizon. Il prodotto deve essere imballato con cura. Bisogna far notare che i box originali solitamente non sono adatti per effettuare una spedizione senza subire alcun danno. Bisogna effettuare una spedizione via corriere che fornisce una tracciabilità e un'assicurazione, in quanto Horizon non si assume alcuna responsabilità in relazione alla spedizione del prodotto. Inserire il prodotto in una busta assieme ad una descrizione dettagliata degli errori e ad una lista di tutti i singoli componenti spediti. Inoltre abbiamo bisogno di un indirizzo completo, di un numero di telefono per chiedere ulteriori domande e di un indirizzo e-mail.

### Garanzia a riparazione

Le richieste in garanzia verranno elaborate solo se è presente una prova d'acquisto in originale proveniente da un rivenditore specializzato autorizzato, nella quale è ben visibile la data di acquisto. Se la garanzia viene confermata, allora il prodotto verrà riparato o sostituito. Questa decisione spetta esclusivamente a Horizon Hobby.

### Riparazioni a pagamento

Se bisogna effettuare una riparazione a pagamento, effettueremo un preventivo che verrà inoltrato al vostro rivenditore. La riparazione verrà effettuata dopo l'autorizzazione da parte del vostro rivenditore. La somma per la riparazione dovrà essere pagata al vostro rivenditore. Le riparazioni a pagamento avranno un costo minimo di 30 minuti di lavoro e in fattura includeranno le spese di restituzione. Qualsiasi riparazione non pagata e non richiesta entro 90 giorni verrà considerata abbandonata e verrà gestita di conseguenza.

**ATTENZIONE:** Le riparazioni a pagamento sono disponibili solo sull'elettronica e sui motori. Le riparazioni a livello meccanico, soprattutto per gli elicotteri e le vetture RC, sono molto costose e devono essere effettuate autonomamente dall'acquirente.

10/15

## GARANZIA E ASSISTENZA INFORMAZIONI PER I CONTATTI

Stato di acquisto	Horizon Hobby	Telefono/Indirizzo e-mail	Indirizzo
Unione Europea	Horizon Technischer Service Sales: Horizon Hobby GmbH	service@horizonhobby.de +49 (0) 4121 2655 100	Hanskampring 9 D 22885 Barsbüttel, Germany

## INFORMAZIONI SULLA CONFORMITÀ PER L'UNIONE EUROPEA

### Dichiarazione di conformità UE: Losi Tenacity DB Pro, RTR (LOS03027)

Con la presente, Horizon Hobby, LLC dichiara che il dispositivo è conforme a quanto segue: Direttiva europea sulle apparecchiature radio (RED) 2014/53/UE; Direttiva RoHS 2 2011/65 / UE; Direttiva RoHS 3 - Modifica 2011/65 / UE allegato II 2015/863.

Il testo completo della dichiarazione di conformità UE è disponibile al seguente indirizzo internet: <https://www.horizonhobby.com/content/support-render-compliance>.

### Gamma di frequenza wireless e Potenza di uscita wireless:

**Trasmittitore:**  
2402–2478MHz  
17.7 dBm

**Ricevitore:**  
2404–2476MHz  
5.58dBm



### Produttore ufficiale dell'UE:

Horizon Hobby, LLC  
2904 Research Road  
Champaign, IL 61822 USA

### Importatore ufficiale dell'UE:

Horizon Hobby, GmbH  
Hanskampring 9  
22885 Barsbüttel Germany



### AVVISO RAEE:

Questo dispositivo è marcato ai sensi della Direttiva europea 2012/19/UE riguardante i rifiuti di apparecchiature elettriche ed elettroniche (RAEE). Il simbolo indica che il prodotto non va smaltito insieme ai rifiuti domestici. Il prodotto deve essere consegnato agli appositi centri di raccolta per consentire il recupero e il riciclaggio.

# REPLACEMENT PARTS // TEILELISTE // LISTE DES PIÈCES DE RECHANGE // ELENCO DEI RICAMBI

Part #	English	Deutsch	Français	Italiano
LOS230070	Body Set, Lucas Oil	Karosseriesatz, Lucas-Öl	Ensemble carrosserie, Lucas Oil	Set carrozzeria, Lucas Oil
LOS230071	Body Set, FOX Racing	Karosseriesatz, FOX Racing	Ensemble carrosserie, FOX Racing	Set carrozzeria, FOX Racing
LOS230072	Body Clip Leash(4)	Gehäuseklemme Schnur (4)	Laisse de clip de carrosserie (4)	Laccio per clip per carrozzeria (4)
LOS231026	Steer BellcrankSet	Steuerungsumlenkhebelsatz	Ensemble levier coudé de direction	Set squadrette sterzo
LOS231027	Steer Pst/Tubes&HDWE	Lenkungsteile/Schläuche und Hardware	Colonne/tubes de direction et accessoires	Montanti/tubi e ferramenta sterzo
LOS231030	Chassis Support Set	Karosserieträgersatz	Ensemble support de châssis	Set supporti telaio
LOS231031	Motor Mount	Motorhalterung	Support moteur	Supporto motore
LOS231033	SteeringDragLink&Hdwe	Lenkzwischenstange und Hardware	Barre de d'accouplement de direction et accessoires	Set tirante long. sterzo e ferramenta
LOS231041	Roll Cage Set	Überrollkäfig-Set	Ensemble de cage de retournement	Set scocca di sicurezza
LOS231054	Battery Mount Set	Akkualterungssatz	Ensemble support de batterie	Set supporto batteria
LOS231055	Side Guar,Alum Chas	Seitenschutz, Aluminiumchassis	Protection latérale, châssis en aluminium	Paracolpi laterali, telaio in alluminio
LOS231056	Aluminum Chassis	Aluminiumchassis	Châssis en aluminium	Telaio in alluminio
LOS231057	Rod Ends & Links	Stangenende und Verbindungen	Embouts de bielle et liaisons	Testa di biella e asta di collegamento
LOS232023	Diff Case Set	Differentialgehäusesatz	Ensemble boîtier de différentiel	Set scatola diff.
LOS232024	CenterDrive Coupler	Zentrale Antriebskupplung	Accouplement d'entraînement central	Acc. albero trasm. centrale
LOS232025	40T SpurGear,Mod 1	40T Stirnrad, Mod 1	Roue droite cylindrique 40T, mod. 1	Corona 40T, Mod 1
LOS232026	Diff Housing	Differentialgehäuse	Logement différentiel	Alloggiamento diff.
LOS232027	FrRing&PinGearSet	Vorderes Hohlrad- und Stiftsatz	Ensemble pignon et anneau avant	Set ingr. e corona pignone ant.
LOS232028	R Ring&PinGearSet	Hinteres Hohlrad- und Stiftsatz	Ensemble pignon et anneau arrière	Set ingr. e corona pignone post.
LOS232029	DiffGearSet w/Hardware	Differentialtriebesatz mit Hardware	Ensemble engrenage différentiel avec accessoires	Set ingr. diff. con accessori
LOS232030	Outdrive, Diff (2)	Flexwelle, Diff (2)	Entraînement extérieur, différentiel (2)	Outdrive, diff.(2)
LOS232031	Wheel Hex Set (4)	Sechskantradsatz (4)	Ensemble d'hexagone de roue (4)	Set trascinatori esagonali (4)
LOS232032	Fr/R Driveshafts(2)	Vordere/Hintere Antriebswellen (2)	Arbres de transmission avant/arrière (2)	Albero trasm. ant./post. (2)
LOS232033	FRCenter Dogbone(1)	Vorderes, mittiges Dogbone (1)	Dogbone central avant (1)	Dogbone centrale ant.
LOS232034	R Center Dogbone(1)	Hinteres, mittiges Dogbone (1)	Dogbone central arrière (1)	Dogbone centrale post.
LOS233011	Shock Plastics Set	Kunststoff-Stoßdämpfersatz	Ensemble plastiques d'amortisseur	Set plastiche ammortizzatori
LOS233013	Spring Set	Federsatz	Ensemble ressort	Set molle
LOS233014	RearShockShaft(2)	Hintere Kolbenstange (2)	Bras d'amortisseur arrière (2)	Albero amm. post. (2)
LOS233015	FrontShockShaft(2)	Vordere Kolbenstange (2)	Bras d'amortisseur avant (2)	Albero amm. ant. (2)
LOS233025	Adjuster Nut	Einstellmutter	Écrou d'ajustement	Dado di registrazione
LOS233026	Aluminum Shock Caps	Aluminium Stoßdämpferkappen	Capuchons d'amortisseur en aluminium	Tappi amm. in alluminio
LOS233027	Alum Frt Sh Bodies	Aluminium Vordere Welle	Corps d'amortisseur avant en aluminium	Corpi amm. in alluminio ant.
LOS233028	Alum Rr Sh Bodies	Aluminium Hintere Welle	Corps d'amortisseur arrière en aluminium	Corpi amm. in alluminio post.
LOS234016	Front Arm Set	Vorderarmsatz	Ensemble bras avant	Set braccio anteriore
LOS234017	Rear Arm Set	Hinterarmsatz	Ensemble bras arrière	Set braccio posteriore
LOS234018	FR Spndl&Carrier St	Vorderer/Hinterer Spindel- und Trägersatz	Ensemble axe et support avant	Set fuselli e portafuselli ant.
LOS234019	FR/R PinMntCover St	Vorderer/Hinterer Stift Halterungsabdeckungssatz	Ensemble cache de support de broche avant/arrière	Set coperture con fiss. a perni
LOS234020	Rear Hubs Set	Hinterradnabensatz	Ensemble moyeux arrière	Set mozzi posteriori
LOS234021	Hingepin&KingpinSet	Scharnierstift- und Sattelzapfen-Satz	Ensemble axe de charnière et pivot d'articulation	Set perni di fuso e cerniera
LOS234023	PivotPinMntSt,Steel(4)	Drehzapfen Halterungssatz, Stahl (4)	Ensemble support de pivot, acier (4)	Set montaggio perni girevoli, acciaio (4)
LOS234035	Alum Frt Shock Tower	Vordere Stoßdämpferbrücke, Aluminium	Tour d'amortisseur avant en aluminium	Torre amm. alluminio, ant.
LOS234036	Alum Rr Shock Tower	Hintere Stoßdämpferbrücke, Aluminium	Tour d'amortisseur arrière en aluminium	Torre amm. alluminio, post.
LOS234037	Sway Bar Set	Schwingen-Set	Ensemble barre stabilisatrice	Set barra antirollio
LOS235011	Set Screws M3x3mm Cup Point(10)	Stellschrauben M3 x 3 mm Ringschneide (10)	Vis de fixation M3 x 3 mm Bout cuvette (10)	Set viti bombate, M3 x 3 mm (10)
LOS235012	Set Screws M4x4mm Cup Point(10)	Stellschrauben M4 x 4 mm Ringschneide (10)	Vis de fixation M4 x 4 mm Bout cuvette (10)	Set viti bombate, M4 x 4 mm (10)
LOS235024	Button Head Screws M3x25mm (10)	Rundkopfschrauben, M3 x 25 mm (10)	Vis à tête bombée M3 x 25 mm (10)	Viti a testa tonda, M3 x 25 mm (10)
LOS235025	Button Head Screws M3x30mm (10)	Rundkopfschrauben, M3 x 30 mm (10)	Vis à tête bombée M3 x 30 mm (10)	Viti a testa tonda, M3 x 30 mm (10)
LOS235026	Set Screws,M3 x 4mm CupPoint(10)	Stellschrauben, M3 x 4 mm Ringschneide (10)	Vis de fixation, M3 x 4 mm Bout cuvette (10)	Set viti bombate, M3 x 4 mm (10)
LOS235027	Set Screws,M3x10mm CupPoint(10)	Stellschrauben, M3 x 10 mm Ringschneide (10)	Vis de fixation, M3 x 10 mm Bout cuvette (10)	Set viti bombate, M3 x 10 mm (10)
LOS236000	E-Clips 2.5mm (12)	E-Klemmen, 2,5 mm (12)	Attaches en E 2,5 mm (12)	E-Clip, 2,5 mm (12)
LOS236001	3.2mm x 7mmx .5mm Washer(10)	3,2 mm x 7 mm x 0,5 mm Unterlegscheibe(10)	Rondelle 3,2 mm x 7 mm x 0,5 mm (10)	Rondella 3,2 mm x 7 mm x 0,5 mm (10)
LOS237000	12x18x4mm Ball Bearing (4)	12 x 18 x 4 mm Kugellager (4)	Roulement à billes 12 x 18 x 4 mm (4)	Cuscinetti a sfera 12x18x4 mm (4)
LOS237001	10x15x4mm Ball Bearing (4)	10 x 15 x 4 mm Kugellager (4)	Roulement à billes 10 x 15 x 4 mm (4)	Cuscinetti a sfera 10x15x4 mm (4)
LOSA6955	5x11x4mm Ball Bearing (4)	5 x 11 x 4 mm Kugellager (4)	Roulement à billes 5 x 11 x 4 mm (4)	Cuscinetti a sfera 5x11x4 mm (4)
LOSA3026	Method Whl w/Falken Tire	Method-Räder mit Falken-Reifen	Roue Method avec pneu Falken	Ruote Method con pneumatici Falken
LOSA3575	1.0 Module Pitch Pinion,15T	1.0 Modul Getrieberad, 15T	Pignon de pas de module 1.0, 15T	Pignone passo modulo 1.0, 15T
LOSA3577	1.0 Module Pitch Pinion,17T	1.0 Modul Getrieberad, 17T	Pignon de pas de module 1.0, 17T	Pignone passo modulo 1.0, 17T
LOSA6940	6x12mm Sealed Ball Bearing (4)	6 x 12 mm abgedichtetes Kugellager (4)	Roulement à billes hermétique 6 x 12 mm (4)	Cuscinetto a sfera sigillato 6x12 mm (4)
SPM2340	DX3 3CH DSMR Radio	DX3 DSMR-Funkgerät mit 3 Kanälen	Radio DSMR 3 canaux DX3	Radio DX3 3Ch DSMR
SPMS614S	15KG Servo, WP, Metal Center Case 23T	15 kg Servo, WP, zentrales Metallgehäuse 23T	Servo 15KG, WP, Métal. Boîtier 23T	Servo 15KG, WP, custodia cent. in metallo 23T
SPMSR6200A	SR6200A 6 Ch AVC/Telemetry Surface Receiver	SR6200A AVC Telemetrie Oberflächenempfänger mit 6 Kanälen	Tele Surf RX/AVC 6 canaux SR6200A	RX di superficie SR6200A 6 Ch AVC/ Telemetria
SPMXSE1130	Firma SMART 130A Brushless ESC	Firma SMART 130 A bürstenloser Geschwindigkeitsregler	ESC sans balais 130 A SMART Firma	ESC Brushless Firma SMART 130A
SPMXSM1000	Firma 3150Kv Brushless Motor	Firma 3150 kV bürstenloser Motor	Moteur sans balais 3150 Kv Firma	Motore Brushless Firma 3150 Kv



# REPLACEMENT PARTS // TEILELISTE // LISTE DES PIÈCES DE RECHANGE // ELENCO DEI RICAMBI

Part #	English	Deutsch	Français	Italiano
TLR235007	Flat Head Screw M2.5 x 10mm (10)	Flachkopfschraube M2,5 x 10 mm (10)	Vis à tête plate M2,5 x 10 mm (10)	Viti a testa piana, M2.5 x 10 mm (10)
TLR255008	Button Head Screws, M4x16mm (10)	Rundkopfschrauben, M4 x 16 mm (10)	Vis à tête bombée, M4 x 16 mm (10)	Viti a testa tonda, M4 x 16 mm (10)
TLR255013	Flat Head Screws, M4x12mm (10)	Flachkopfschrauben, M4 x 12 mm (10)	Vis à tête plate, M4 x 12 mm (10)	Viti a testa piana, M4 x 12 mm (10)
TLR256005	Nylock Nut, M4 (10)	Nylock-Mutter, M4 (10)	Contre-écrou Nylock, M4 (10)	Dado Nylock, M4 (10)
TLR336005	M3 Flanged Alum Locknuts Blk(10)	M3 Aluminium-Sicherungsmuttern mit Flansch, schwarz (10)	Contre-écrous M3 en aluminium à collet, noirs (10)	Controdado flangiato allum. M3, nero (10)
TLR5901	Button Hd Screws, M3 x 6mm (10)	Rundkopfschrauben, M3 x 6 mm (10)	Vis à tête bombée, M3 x 6mm (10)	Viti a testa tonda, M3 x 6mm (10)
TLR5902	Button Hd Screws, M3 x 8mm (10)	Rundkopfschrauben, M3 x 8 mm (10)	Vis à tête bombée, M3 x 8mm (10)	Viti a testa tonda, M3 x 8 mm (10)
TLR5903	Button Hd Screws, M3 x 10mm (10)	Rundkopfschrauben, M3 x 10 mm (10)	Vis à tête bombée, M3 x 10mm (10)	Viti a testa tonda, M3 x 10mm (10)
TLR5904	Button Hd Screws, M3 x 12mm (10)	Rundkopfschrauben, M3 x 12 mm (10)	Vis à tête bombée, M3 x 12mm (10)	Viti a testa tonda, M3 x 12mm (10)
TLR5905	Button Hd Screws, M3 x 18mm (10)	Rundkopfschrauben, M3 x 18 mm (10)	Vis à tête bombée, M3 x 18mm (10)	Viti a testa tonda, M3 x 18mm (10)
TLR5908	Button Hd Screws, M3 x 44mm (4)	Rundkopfschrauben, M3 x 44 mm (4)	Vis à tête bombée, M3 x 44mm (4)	Viti a testa tonda, M3 x 44mm (4)
TLR5909	Button Head Screws, M3x16mm(10)	Rundkopfschrauben, M3 x 16 mm (10)	Vis à tête bombée, M3 x 16 mm (10)	Viti a testa tonda, M3 x 16 mm (10)
TLR5910	Button Head Screws M3 x 14mm(10)	Rundkopfschraube, M3 x 14 mm (10)	Vis à tête bombée, M3 x 14 mm (10)	Viti a testa tonda, M3 x 14 mm (10)
TLR5911	Button Head Screws, M3 x 20mm(10)	Rundkopfschrauben, M3 x 20 mm (10)	Vis à tête bombée, M3 x 20mm (10)	Viti a testa tonda, M3 x 20mm (10)
TLR5914	Button Head Screws, M2 x 12mm(10)	Rundkopfschrauben, M2 x 12 mm (10)	Vis à tête bombée, M2 x 12 mm (10)	Viti a testa tonda, M2 x 12mm (10)
TLR5932	Cap Head Screws, M3 x 10mm (10)	Inbusschrauben, M3 x 10 mm (10)	Vis d'assemblage creuses, M3 x 10mm (10)	Viti a testa cilindrica, M3 x 10mm (10)
TLR5933	Cap Head Screws, M3 x 12mm (10)	Inbusschrauben, M3 x 12 mm (10)	Vis d'assemblage creuses, M3 x 12mm (10)	Viti a testa cilindrica, M3 x 12mm (10)
TLR5963	Flathead Screw, M3 x 12mm (10)	Flachkopfschraube, M3 x 12 mm (10)	Vis à tête plate, M3 x 12mm (10)	Viti a testa piana, M3 x 12 mm (10)
TLR5964	Flathead Screw, M3 x 16mm (10)	Flachkopfschraube, M3 x 16 mm (10)	Vis à tête plate, M3 x 16mm (10)	Viti a testa piana, M3 x 16mm (10)
TLR5965	Flathead Screw, M3 x 20mm (10)	Flachkopfschraube, M3 x 20 mm (10)	Vis à tête plate, M3 x 20mm (10)	Viti a testa piana, M3 x 20mm (10)
TLR6313	Locknut, M3 x .5 x 5.5mm (10)	Kontermutter, M3 x 0,5 x 5,5 mm (10)	Contre-écrou M3 x 5 x 5,5 mm (10)	Controdadi, M3 x 5 x 5,5 mm (10)
TLR6352	Washers, M3 (10)	Unterlegscheiben, M3 (10)	Rondelles, M3 (10)	Rondelle, M3 (10)
TLR74008	Silicone Shock Oil, 35 Wt, 2 Oz	Stoßdämpfer-Silikonöl, 35 wt, 59 ml (2 oz)	Huile silicone pour amortisseurs, 35 WT, 2 oz	Olio di silicone amm. 35 wt, 60 ml (2 oz)
TLR8202	Body Clips, Black (12)	Gehäuseklemmen, schwarz (12)	Clips de carrosserie, noir (12)	Clip carrozzeria, colore nero (12)

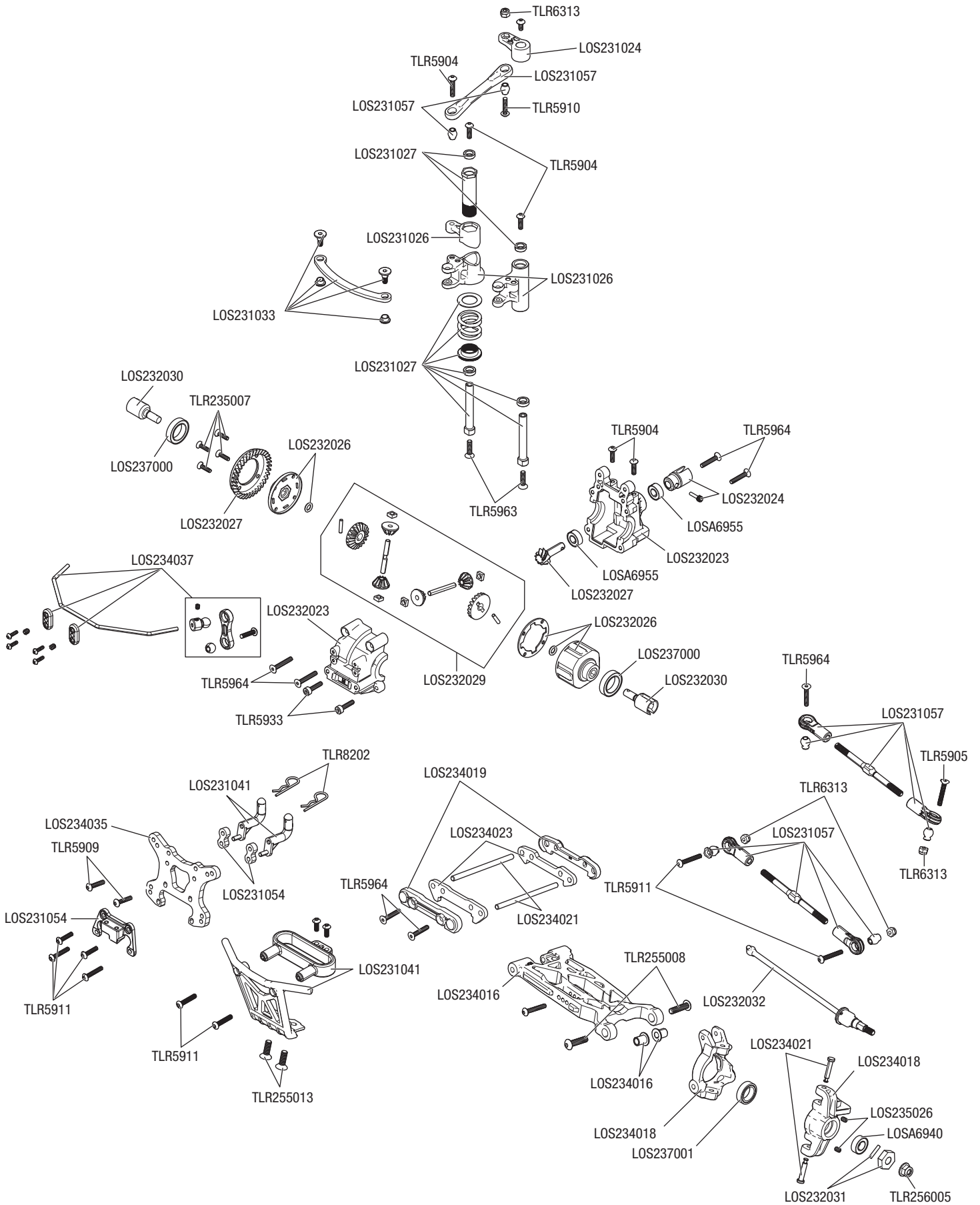
## RECOMMENDED PARTS // EMPFOHLENE TEILE// PIÈCES RECOMMANDÉES // PARTI CONSIGLIATE

Part #	English	Deutsch	Français	Italiano
DYNC3015	Passport P1 mini-AC Input Balance Charger/Discharger	Passport P1 Mini Wechselstrom Ausgleichs- und -Entladegerät	Chargeur/déchargeur mini-entrée c.a. avec équilibrage Passport P1	Caricatore/scaricatore con bilanciamento in ingresso Passport P1 mini-AC
SPMX50002S50HS	5000mAh 2S 7.4V50CSmartLiPo IC5	5000 mAh 2S 7,4 V 50C Smart LiPo IC5	IC5 LiPo Smart 50C 7,4 V 2S 5000 mAh	5000 mAh 2S 7,4 V 50C Smart LiPo IC5
SPMX50003S50HS	5000mAh 3S 11.1V50CSmartLiPo IC5	5000 mAh 3S 11,1 V 50C Smart LiPo IC5	IC5 LiPo Smart 50C 11,1 V 3S 5000 mAh	5000 mAh 3S 11,1 V 50C Smart LiPo IC5

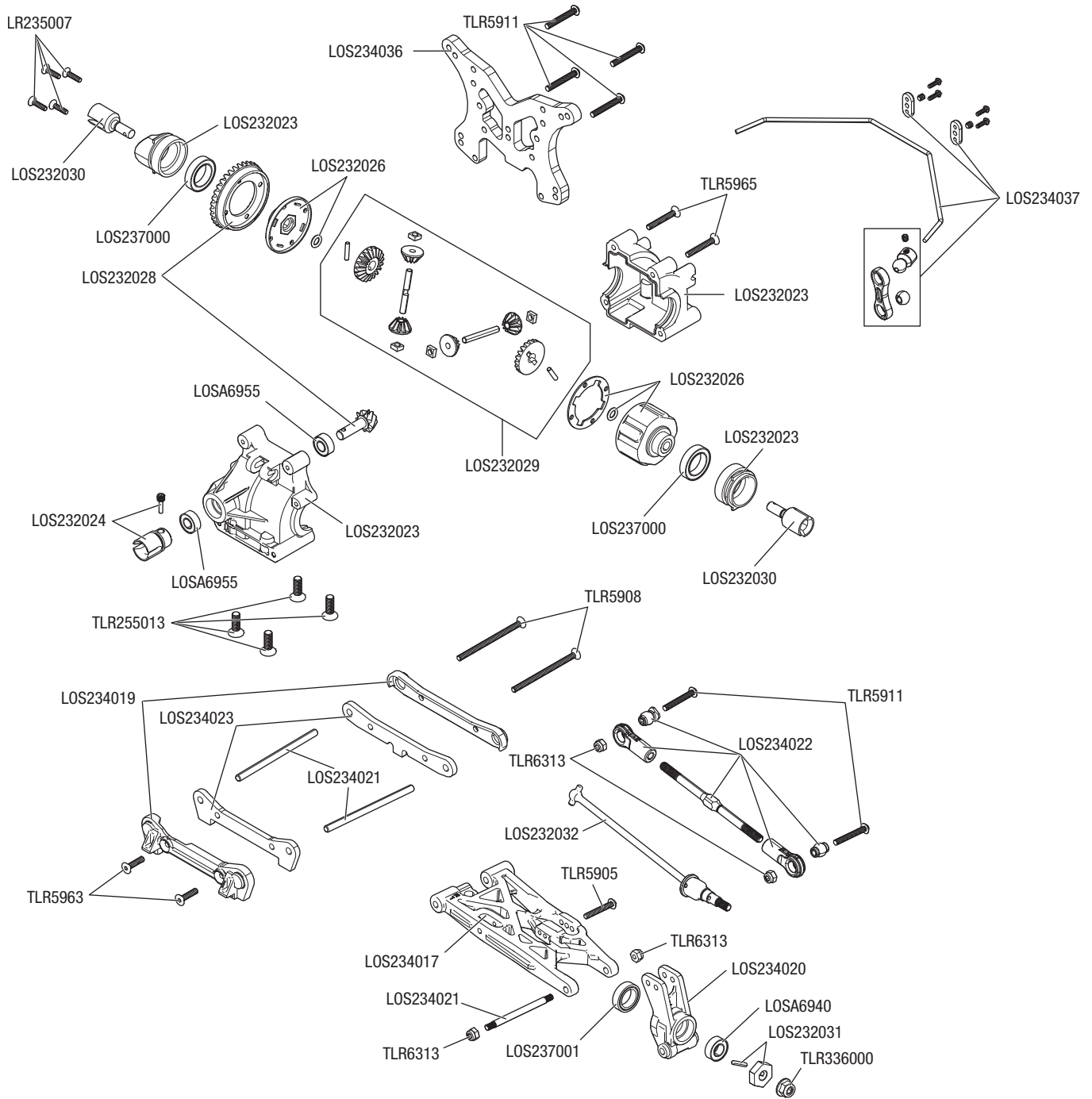
## OPTIONAL PARTS // OPTIONALE TEILE // PIÈCES OPTIONNELLES // PARTI OPZIONALI

Part #	English	Deutsch	Français	Italiano
DYN2834	Startup Tool Set: Metric	Anfänger-Werkzeugsatz: Metrisch	Jeu d'outils de démarrage : Métrique	Set utensili per avvio: metrico
DYN5500	Magnum Force 2 Motor Spray, 13 oz	Magnum Force 2 Motorspray, 368 g	Vaporisateur pour moteur Magnum Force 2, 13 onces	Spray per motore Magnum Force 2, 385 ml
DYNT2010	Machined Nut Driver Set (4) Metric	Set gefräste Steckschlüssel (4) metrisch	Ensemble de tournevis à écrou usiné (4) Métrique	Set di chiavi per dadi lavorate (4), metrico
DYNT2030	Machined Hex Driver Set (4) Met	Set gefräste Inbusschraubendreher (4) Met	Ensemble clé à six pans usinée (4) Métrique	Set di chiavi esagonali lavorate (4), metrico
LOS230053	Body Set, Clear	Karosseriesatz, farblos	Carrosserie, transparente	Set carrozzeria, trasparente
LOS43011	Dsrt Claws Tires w/Foam,Soft (2)	Desert Claws-Reifen mit Schaumstoff, weich (2)	Pneus Desert Claws avec mousse, tendres (2)	Ruote Desert Claws con schiuma, morbide (2)
LOSA3571	1.0 Module Pitch Pinion, 11T	1.0 Modul Getrieberad, 11T	Pignon de pas de module 1.0, 11T	Pignone passo modulo 1.0, 11T
LOSA3573	1.0 Module Pitch Pinion, 13T	1.0 Modul Getrieberad, 13T	Pignon de pas de module 1.0, 13T	Pignone passo modulo 1.0, 13T
LOSA3576	1.0 Module Pitch Pinion, 16T	1.0 Modul Getrieberad, 16T	Pignon de pas de module 1.0, 16T	Pignone passo modulo 1.0, 16T
LOSA3578	1.0 Module Pitch Pinion, 18T	1.0 Modul Getrieberad, 18T	Pignon de pas de module 1.0, 18T	Pignone passo modulo 1.0, 18T
LOSA99173	Ride Height Gauge	Höhenmesser	Jauge de hauteur de course	Misuratore altezza marcia
LOSA99174	Car Stand	Fahrzeugständer	Soacle	Supporto automodello
LOSB3493	Alum Clamping Whl Hex	Aluminium Klemmrad Sechskant	Hexagone de roue de blocage en aluminium	Set serraggio ruote esagonale allum.
SPM6730	Spektrum Tx Storage Bag	Spektrum Tx Aufbewahrungstasche	Sac de rangement Spektrum Tx	Sacco custodia Tx Spektrum
SPM6741	DX2E ACTIVE Bluetooth Module	DX2E ACTIVE Bluetooth-Modul	Module Bluetooth DX2E ACTIVE	Modulo Bluetooth DX2E ACTIVE
SPMSS6230	S6230 U-T / M-S Digital WP Servo	S6230 U-T/M-S Digitaler WP Servo	Servo numérique S6230 U-T / M-S WP	Servo impermeabile digitale S6230 U-T / M-S
TLR332014	Rear Hex, +0.5mm Width, Alum	Hinterer Sechskant, +0,5 mm Breite, Aluminium	Hexagone arrière, +0,5 mm de large, aluminium	Hex posteriore, +0,5 mm di larghezza, alluminio
TLR336000	4mmAlumSerratedLockNuts,Black(6)	4 mm Aluminium Rändelmutter, schwarz (6)	Contre-écrous striés en aluminium de 4 mm, noirs (6)	Dadi dentellati, 4 mm, alluminio, neri (6)
TLR336001	4mmAlumSerratedLockNuts,Blue(6)	4 mm Aluminium Rändelmutter, blau (6)	Contre-écrous striés en aluminium de 4 mm, bleus (6)	Dadi dentellati, 4 mm, alluminio, blu (6)
TLR5062	Bleeder Shock Caps, Alum (2)	Stoßdämpfer-Entlüfterkappen, Aluminium (2)	Capuchons d'amortisseur avec purgeur, aluminium (2)	Tappi di sfiato amm., alluminio (2)
TLR74006	Silicone Shock Oil, 30wt, 2oz	Stoßdämpfer-Silikonöl, 30 wt, 59 ml (2oz)	Huile silicone pour amortisseurs, 30 WT, 2 oz	Olio di silicone amm., 30 wt, 60 ml (2 oz)
TLR74010	Silicone Shock Oil, 40 Wt, 2 Oz	Stoßdämpfer-Silikonöl, 40 wt, 59 ml (2 oz)	Huile silicone pour amortisseurs, 40 WT, 2 oz	Olio di silicone amm., 40 wt, 60 ml (2 oz)
TLR76000	Tire Glue, Standard	Reifenklebemittel, Standard	Colle de pneu, standard	Colla pneumatici, standard
TLR76004	TLR Lok, Threadlock, Blue	TLR Lok, Schraubensicherung, blau	Verrou TLR, frein-filet, bleu	TLR Lok, frenafilletti, blu

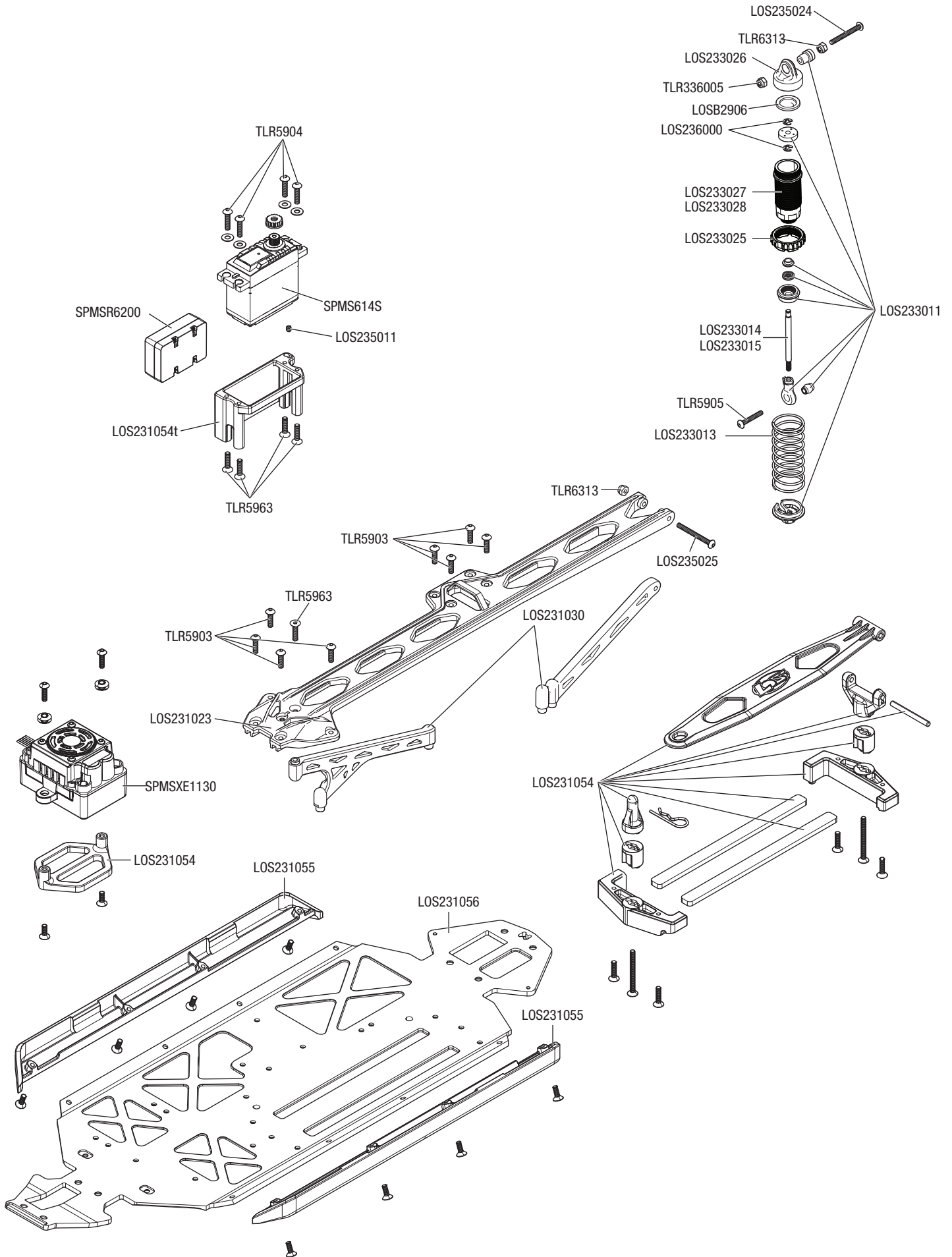
**EXPLODED VIEW // EXPLOSIONSZEICHNUNG // VUE ÉCLATÉE DES PIÈCES // VISTA ESPLOSA DELLE PARTI**

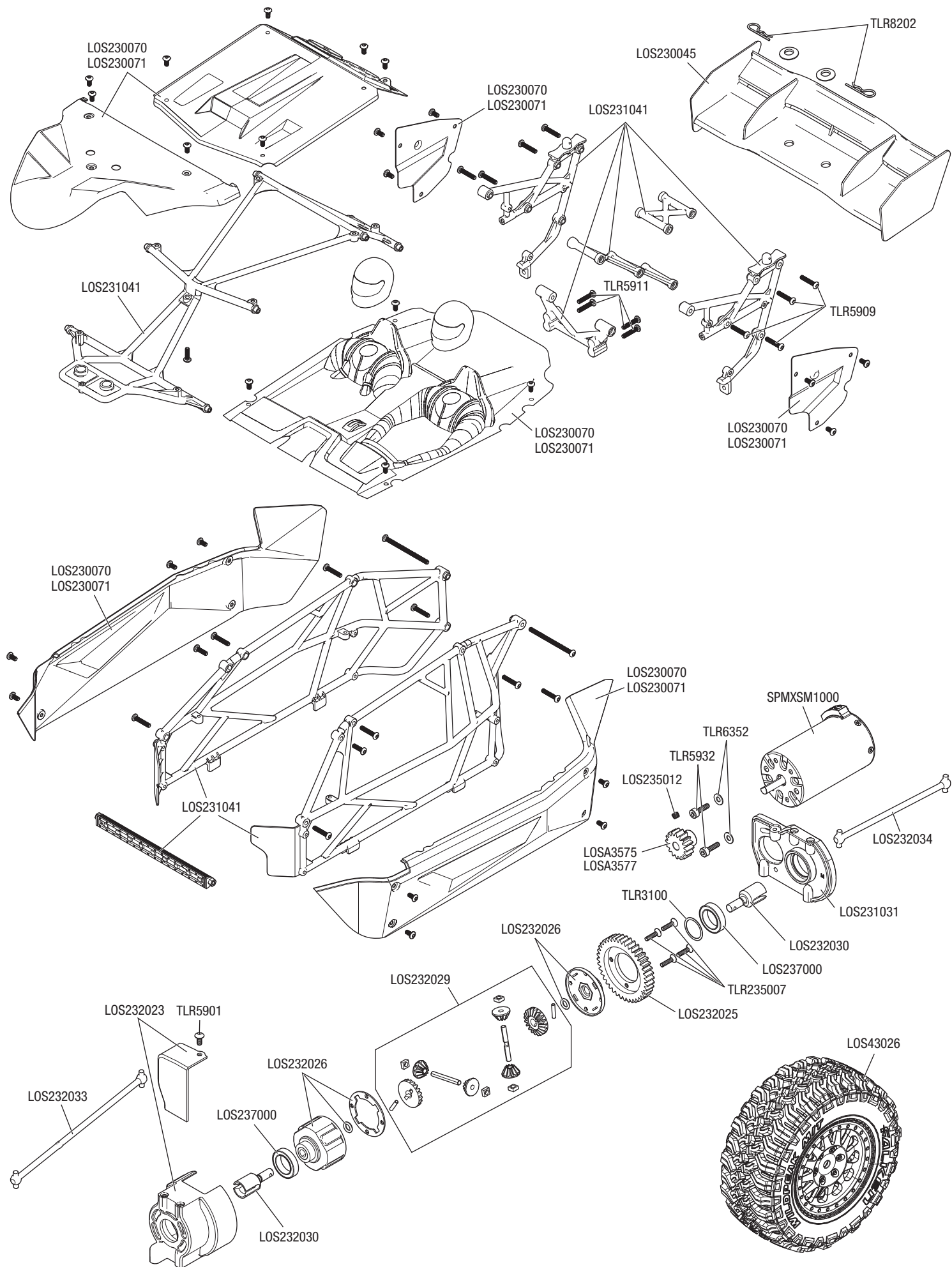


**EXPLODED VIEW // EXPLOSIONSZEICHNUNG // VUE ÉCLATÉE DES PIÈCES // VISTA ESPLOSA DELLE PARTI**











**WWW.LOSI.COM**

©2021 Horizon Hobby, LLC.

Losi, Tenacity, Firma, DSM, DSM2, DSMR, AVC, Active Vehicle Control, Dynamite, Passport, DX3, Fuze, IC5 and the Horizon Hobby logo are trademarks or registered trademarks of Horizon Hobby, LLC. The Spektrum trademark is used with permission of Bachmann Industries, Inc.

US 9,320,977. US 10,528,060. US 9,930,567. US 10,419,970. US 10,849,013. Other patents pending.

Created 6/21

173621

LOS03027V2T1/T2

